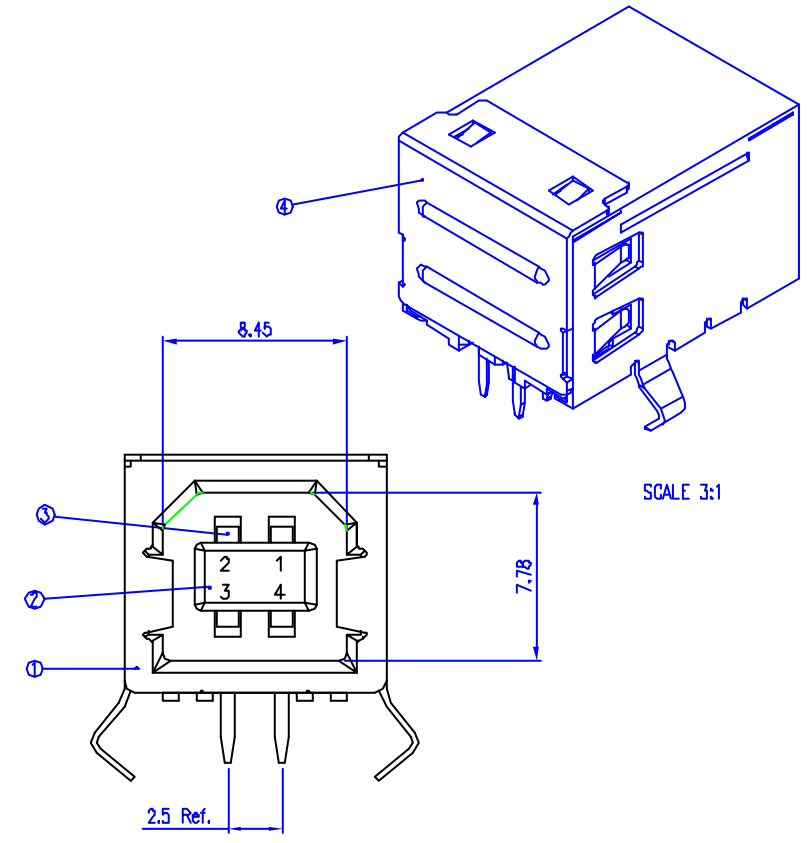
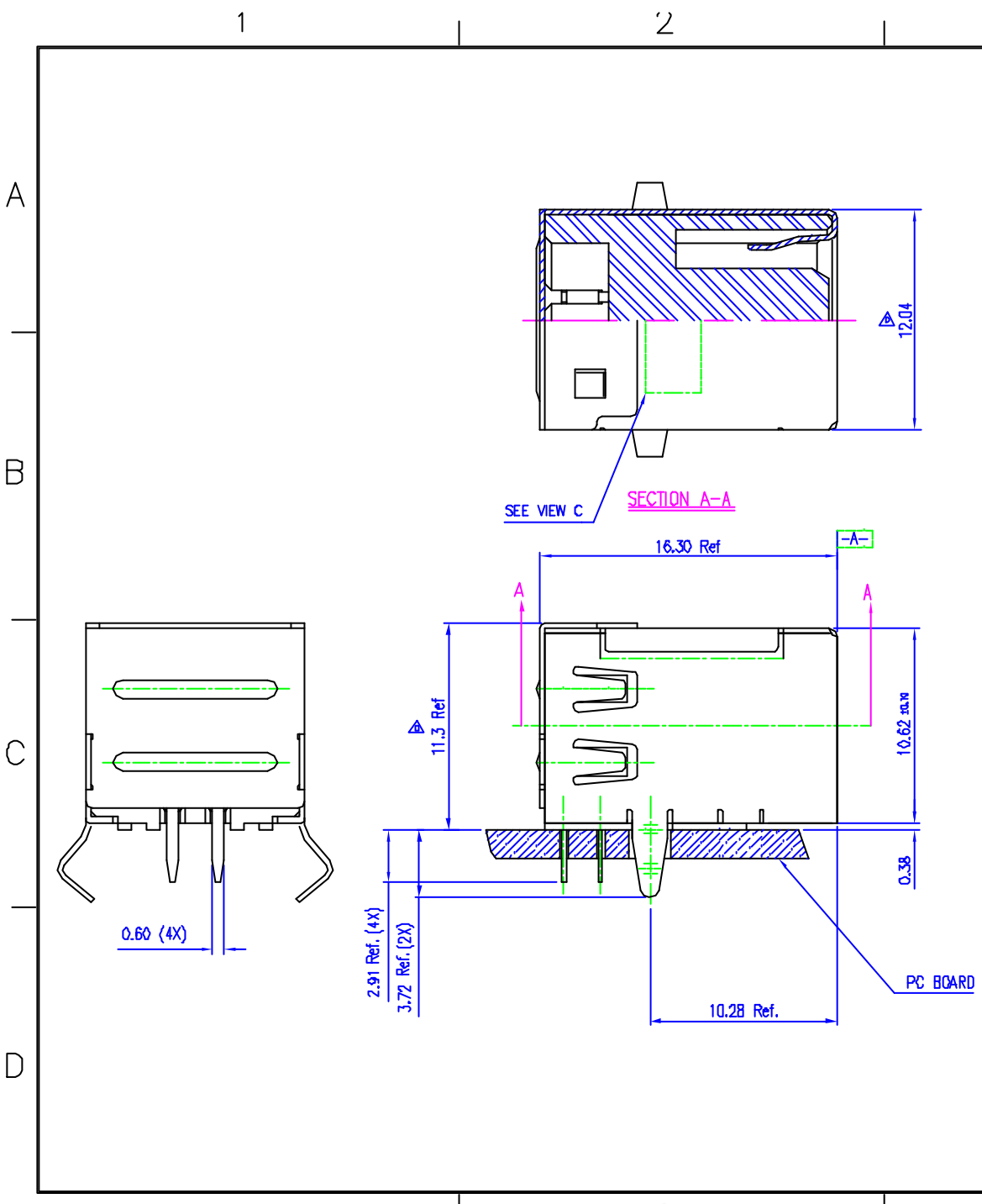




REV.	DESCRIPTION	DRAWN/DATE	CHECK/DATE	APPROVED/DATE
A	NEW RELEASE PER ECR-99259	KELLY 07/19/99*	MAX 07/19/99*	J.CHEN 07/19/99*
B	PER ECR-DD513 $\Delta$ x2	KELLY 09/06/00*	MAX 09/07/00*	J.CHEN 09/08/00*
C	PER ECR-DD601 $\Delta$ x3	KELLY 11/29/00*	~	MAX 11/30/00*
D	PER ECR-DD707 $\Delta$ x2	PETER 12/13/00*	STANLY 12/14/00*	STANLY 12/14/00*
E	PER ECR-D1137 $\Delta$ x1	KELLY 03/28/01*	~	MAX 03/30/01*
F	PER SZECR-02274 $\Delta$ x1	CHIGDW 05/09/02*	TOM 05/11/02*	ROGER 05/11/02*



GENERAL TOLERANCE		ANGLE TOLERANCE		DRAWN	DATE	 TITLE USB CONNECTOR, SERIES B, 4 POSITIONS, R/A, THUR-HOLE WITH BACK SHELL <CUSTOMER DRAWING>
X	±0.38	X°	±3.0°	KELLY	07/19/99*	
.X	±0.25	.X°	±2.0°	DESIGN	DATE	
.XX	±0.13	.XX°	±1.0°	Max	10/30/98*	
.XXX	±0.05	.XXX°	±1.0°	CHECKED	DATE	
MATERIAL SEE NOTES				Max	07/19/99*	
FINISH				APPROVED	DATE	
SCALE 4 : 1		UNIT MM		J.CHEN	07/19/99*	
SHEET 1 OF 2						
SERIES USB B TYPE SERIES						SIZE A3
DRAWING NO. C-UBR26-00-00						REV. F

A  
B  
C  
D

1 2 3 4

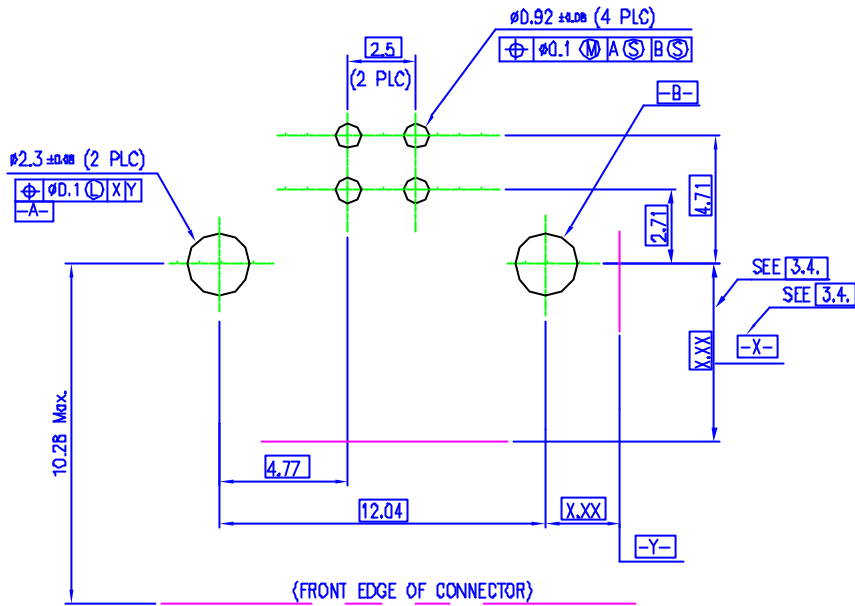
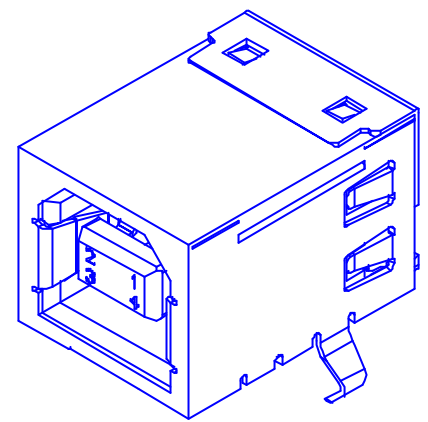


FIGURE A: PCB FOOTPRINT FOR RECEPTACLE (THROUGH-HOLE)



SCALE 3:1

TABLE A:

UBR26- 4 \* \* \* \* 0  
① ② ③ ④ ⑤

- ① POSITIONS :  
4 : 4 POSITIONS
- ② COLOR OF INSULATOR :  
N : NATURE W/O LOGO(PA-6T)  
▲ K : BLACK  
▲ W : WHITE
- ③ CONTACT GOLD PLATING THICKNESS :  
▲ 2 : 5 u" GOLD PLATED  
5 : 30 u" GOLD PLATED
- ④ SHELL PLATING & LOGO :  
▲ 1 : TIN/LEAD PLATED
- ▲ J : Cu/Ni PLATED
- ▲ D : Cu/Ni/Au
- ⑤ THE MATERIAL OF INSULATION :  
0 : PBT  
1 : PA-6T

NOTES :

- 1.0. RATING :  
1.1. VOTAGE : 3D VAC (R.M.S.)  
1.2. CURREN : 1.5 AMPERE MAXIMUM PER CONTACT AT 30°C T-RISE  
1.3. TEMPERATURE : -55°C TO +85°C
- 2.0. ELECTRICAL CHARACTERISTIC :  
2.1. CONTACT RESISTANCE : 3D MILLIOHMS MAXIMUM INITIAL  
2.2. INSULATION RESISTANCE : 1,000 MEGOHMS MINIMUM  
2.3. DIELECTIC WITHSTANDING VOLTAGE : 500 VAC AT SEE LEVEL  
2.4. CAPACITANCE : 2 PICOFARADS MAXIMUM AT 1KHZ
- 3.0. OTHERS :  
3.1. RECOMMENDED PC BOARD THICKNESS OF 1.57mm  
3.2. THIS ALLOW FOR A PANEL THICKNESS OF 2.67mm MAXIMUM, IF THE RECEPTACLE CONNECTOR IS MOUNTED BEHIND A PANEL.  
3.3. RECOMMENDED PC BOARD MOUNTING DIMMENSION : REFER FIGURE A  
3.4. DATUM AND BASIC DIMMENSIONS ESTABLISHED BY CUSTOMER.  
3.5. PRODUCT NUMBERING CODE : REFER TO TABLE A

4	BACK SHELL	1	STAINLESS STEEL	
3	CONTACT	4	COPPER ALLOY/SELECTIVE GOLD PLATING (REFER TO "TABLE A")	
2	HOUSING	1	HIGH TEMPERATURE THERMOPLASTIC, UL 94V-0 RATED	
1	SHELL	1	COPPER ALLOY/REFER TO "TABLE A"	
ITEM	PART NAME	Q'TY/EA	MATERIAL/FINISH	NOTE
GENERAL TOLERANCE		DRAWN		<p>TITLE USB CONNECTOR, SERIES B, 4 POSITIONS, R/A, THUR-HOLE WITH BACK SHELL &lt;CUSTOMER DRAWING&gt;</p>
X ±0.38		DATE		
.X ±0.25		KELLY 07/19/99'		
.XX ±0.13		DESIGN DATE		
.XXX ±0.05		M0x 10/30/98'		
ANGLE TOLERANCE		CHECKED		
X° ±3.0'		DATE		
.X° ±2.0'		M0x 07/19/99'		
.X° ±1.0'		APPROVED		
SCALE 4 : 1		DATE		
UNIT mm		J.CHEN 07/19/99'		
SHEET 2 of 2		SERIES USB B TYPE SERIES		SIZE A3
		DRAWING NO. C-UBR26-DD-DD		REV. F

A  
B  
C  
D

1 2 3 4