

NOTES:

1. MATERIAL AND FINISH :
  - BODY - STAINLESS STEEL , PASSIVATED
  - CONTACT - BERYLLIUM COPPER , GOLD PLATED
  - INSULATOR - PTFE , NATURAL
2. PERFORMANCE:
  - A. IMPEDANCE: 50 OHM
  - B. FREQUENCY RANGE: DC TO 27 GHz
  - C. VSWR: 1.05 + .0045 X F (F IN GHz)
  - D. DIELECTRIC WITHSTANDING VOLTAGE: 1000 VRMS, MIN.
  - E. TEMPERATURE RANGE: -55°C TO +150°C

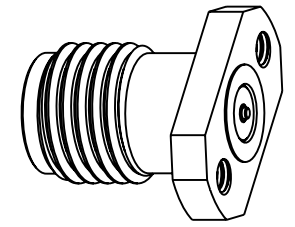
THIRD ANGLE PROJ.

REVISIONS

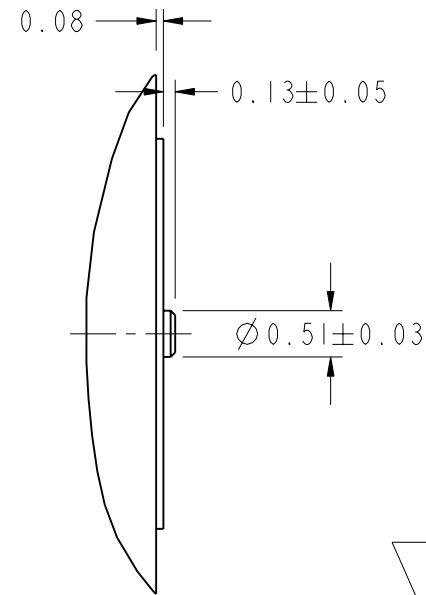
REV	DESCRIPTION	DATE	ECO	APPR
1	PRELIMINARY RELEASE	16-Mar-18		SW
2	SEE SHEET 1	30-Mar-18		SW
3	SEE SHEET 1	28-Jun-18		SW

Vendor: Amphenol  
Vendor P/N: SMA6551P1-006-SXPT5G-50

**PRELIMINARY ISSUE**

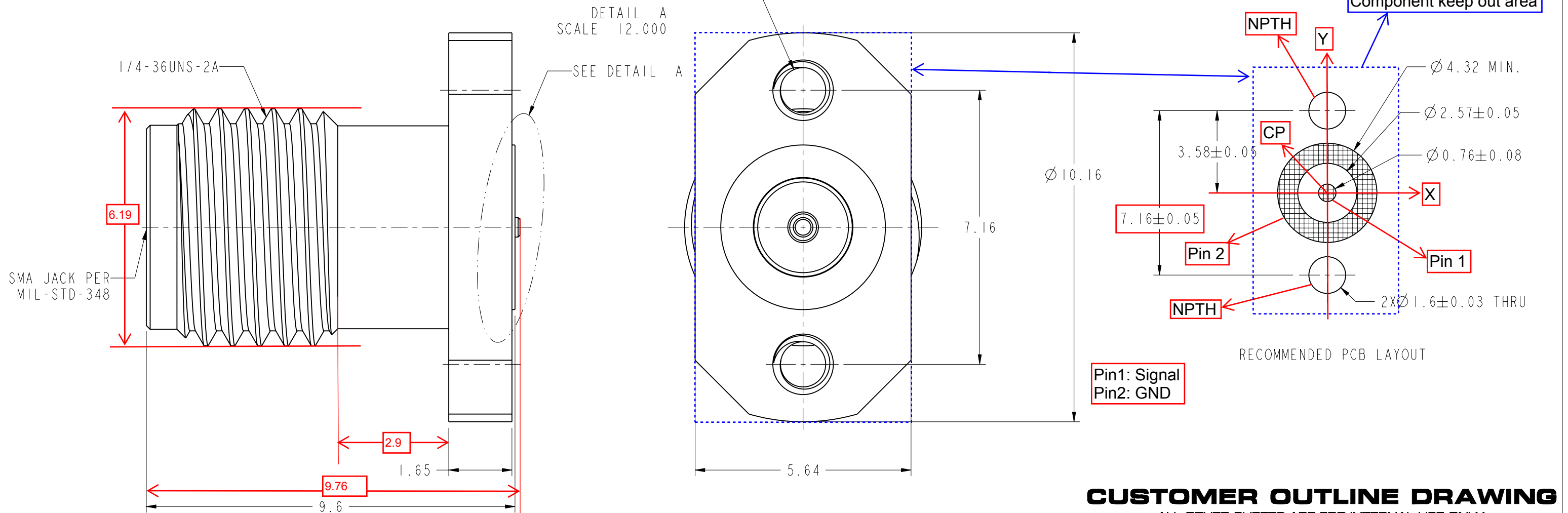


SCALE 3.000



Side View

Bottom View



**CUSTOMER OUTLINE DRAWING**

ALL OTHER SHEETS ARE FOR INTERNAL USE ONLY

UNLESS OTHERWISE SPECIFIED, DIMENSIONS ARE IN METRIC AND TOLERANCES ARE: <0.5mm ±0.05mm    0.5 - 6mm ±0.1mm    6 - 30mm ±0.2mm    30 - 120mm ±0.3mm    ANGLES ±1°  NOTICE - These drawings, specifications, or other data (1) are, and remain the property of Amphenol corp. (2) must be returned upon request; and (3) are confidential and not to be disclosed to any person other than those to whom they are given by Amphenol Corp. the furnishing of these drawings, specifications, or other data by Amphenol Corp., or to any other person to anyone for any purpose is not to be regarded by implication or otherwise in any manner licensing, granting rights to permitting such holder or any other person to manufacture, use or sell any product, process or design, patented or otherwise, that may in any way be related to or disclosed by said drawings, specifications, or other data.	MATERIAL	DRAWN STAMN	DATE	TITLE	Amphenol RF www.amphenolrf.com DRAWING NO. SMA6551P1-006-SXPT30G-50 ITEM NO. 116551BDR02PP5F PART NO.
	REFERENCE EAR 8271	ENGINEER	DATE	SMA JACK MT WITH 0-80 THD.	
	FINISH	APPROVED	DATE	SCALE: 10.0:1.0 SHEET 2 OF 2	
		CAD FILE		DWG SIZE B REV 3	