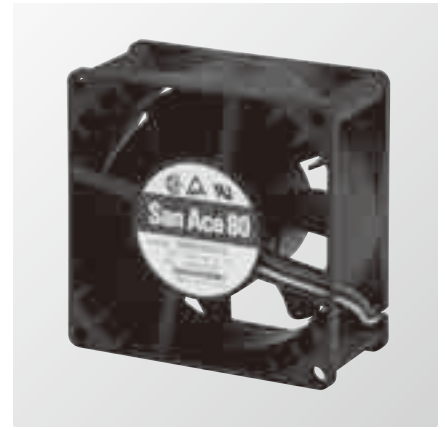


**80**mm sq.

# San Ace 80

15mm thick, 20mm thick, 25mm thick  
 25mm thick (San Cooler), 32mm thick  
 38mm thick (GV type), 38mm thick (G type)



## General Specifications With a pulse sensor

- Material ..... Frame: Plastics (Flammability: UL94V-0),  
 Impeller: Plastics (Flammability: UL94V-0)
- Life Expectancy ..... Varies for each model (L10: Survival rate: 90% at 60°C,  
 rated voltage, and continuously run in a free air state)
- Lead Wire ..... ⊕red ⊖black (Sensor) yellow
- Storage Temperature ..... -30°C to +70°C (Non-condensing)

**80×80×38mm** (Mass : 170g)

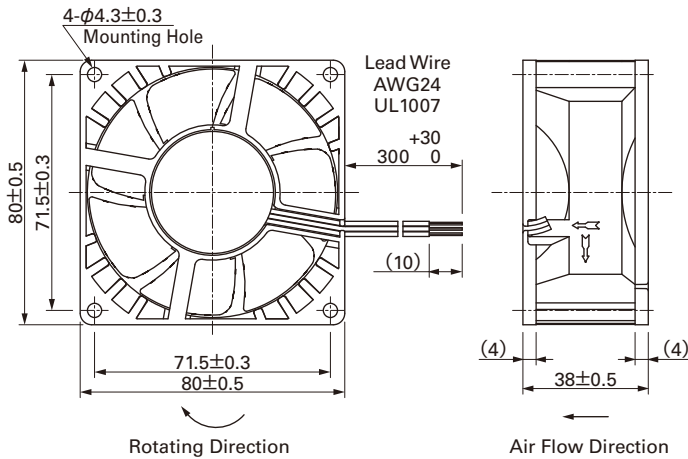
**G type**

## Specifications The numbers in ( ) represent ribless models.

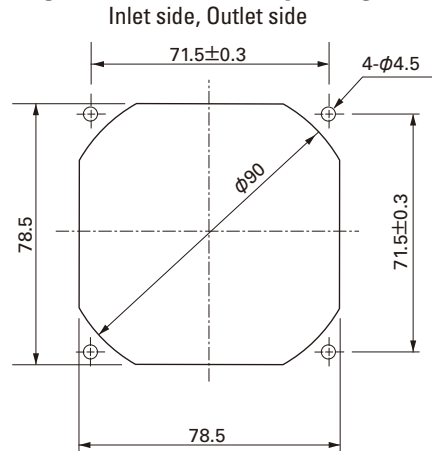
Model No.	Rated Voltage [V]	Operating Voltage Range [V]	Rated Current [A]	Rated Input [W]	Rated Speed [min <sup>-1</sup> ]	Air Flow [m <sup>3</sup> /min] [CFM]	Static Pressure [Pa] [inchH <sub>2</sub> O]	SPL [dB(A)]	Operating Temperature [°C]	Life Expectancy [h]
9G0812K101(1011)	12	10.8 to 13.2	1.8	21.6	7,800	3.04 107.3	320 1.285	58	-10 to +60	40,000
9G0812G101(1011)		7 to 13.8	1.1	13.2	6,300	2.55 90	211 0.847	51		
9G0812H101(1011)		0.9	10.8	5,700	2.28 80	171 0.687	49			
9G0824G101(1011)	24	20.4 to 27.6	0.56	13.4	6,300	2.55 90	211 0.847	51	-10 to +70	40,000
9G0824H101(1011)			0.42	10.1	5,700	2.28 80	171 0.687	49		
9G0848G101(1011)	48	40.8 to 55.2	0.27	13.0	6,300	2.55 90	211 0.847	51	-10 to +70	40,000
9G0848H101(1011)			0.20	9.6	5,700	2.28 80	171 0.687	49		

**Without Sensor** **Pulse Sensor** Available in all models. **Lock Sensor** **PWM Control** Please inquire as the availability of these functions depend on the model.

## Dimensions (Unit : mm) (With ribs)



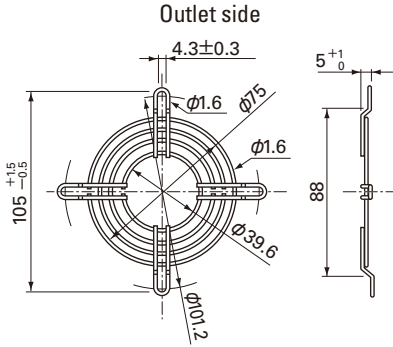
## Reference dimension of mounting holes and vent opening (Unit : mm)



**Options (Unit : mm)**

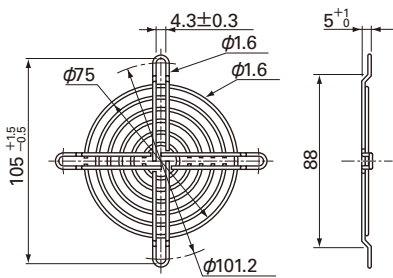
**Finger guards**

Model : 109-049C Color Surface treatment : Nickel-chrome plating (silver)



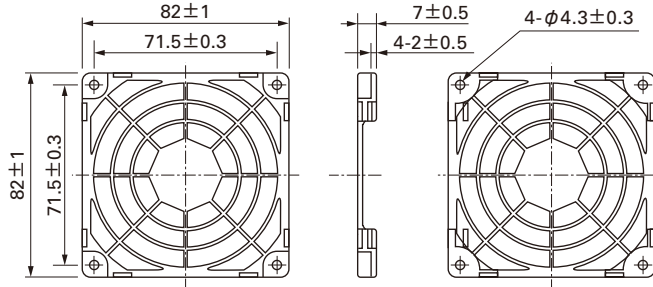
Model : 109-049E Color Surface treatment : Nickel-chrome plating (silver)  
: 109-049H : Cation electropainting (black)

Inlet side, Outlet side



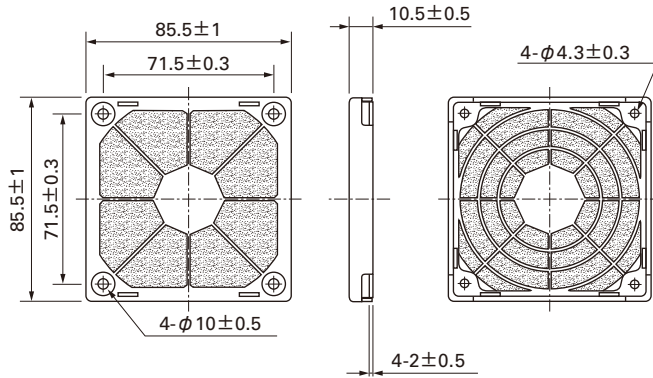
**Resin finger guards**

Model : 109-1002G

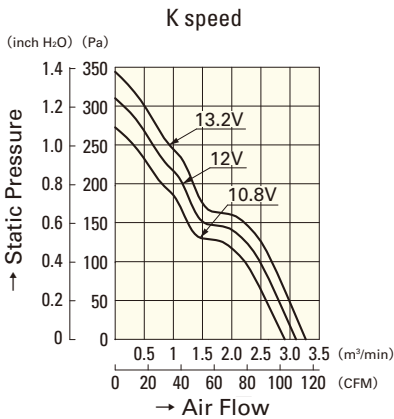


**Resin filter kits**

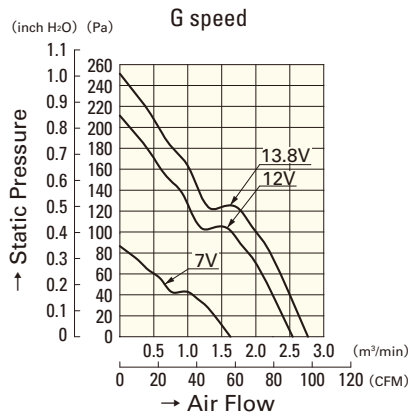
Model : 109-1002F13 (13PPI), 109-1002F20 (20PPI)  
: 109-1002F30 (30PPI), 109-1002F40 (40PPI)



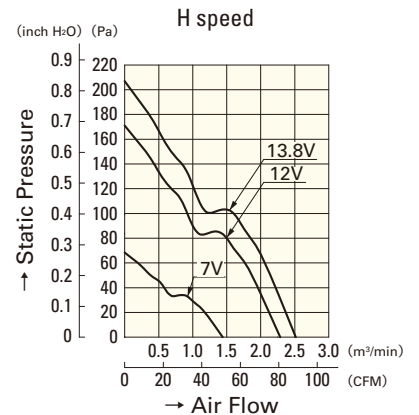
**Air Flow and Static Pressure Characteristics**



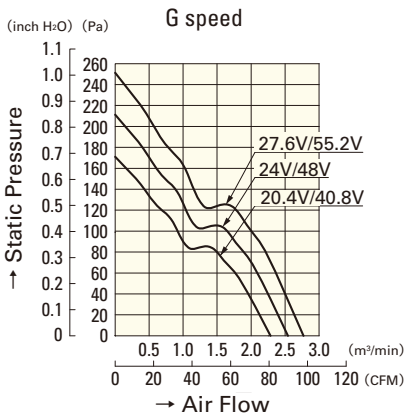
**9G0812K101(1011)**



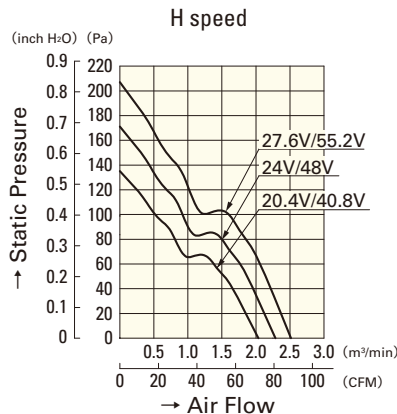
**9G0812G101(1011)**



**9G0812H101(1011)**



**9G0824G101(1011)**  
**9G0848G101(1011)**



**9G0824H101(1011)**  
**9G0848H101(1011)**