

Revised Date: August 07, 2006

UA2725

Data Sheet

Doc. #: DS-2725-01

<Rev. 0.0>

The content of this technical information is subject to change without notice.
Please contact UBEC for further information.

All rights strictly reserved. Any portion of this paper shall not be reproduced, copied, or transformed to any other forms without permission from Uniband Electronic Corp.

Uniband Electronic Corp.

3F-3, No. 192, Dongguang Rd., Hsinchu 300, Taiwan

TEL: +886-3-5729898

FAX: +886-3-5718599

http:// www.ubec.com.tw

Revision History

Revision	Date	Description of Change
0.0	August 7, 2006	Original.

UBEC confidential
*** **

DISCLAIMER

ALTHOUGH TO THE BEST KNOWLEDGE OF THE UNIBAND ELECTRONIC CORPORATION (UBEC) THIS DOCUMENT IS ADEQUATE FOR ITS INTENDED PURPOSES, UBEC MAKES NO WARRANTY OF ANY KIND WITH REGARD TO ITS COMPLETENESS AND ACCURACY. UBEC EXPRESSLY DISCLAIMS ANY AND ALL OTHER WARRANTIES, EXPRESS, IMPLIED, OR STATUTORY INCLUDING WITHOUT LIMITATION WARRANTIES OF TITLE, MERCHANTABILITY, NON-INFRINGEMENT, AND FITNESS FOR A PARTICULAR PURPOSE, WHETHER ARISING IN LAW, CUSTOM, CONDUCT OR OTHERWISE.

1 Product Description

The UA2725 is a wideband LNA MMIC with internal input/output matching , high/low gain control ,and packaged in a 6-pin SOT363 plastic package.

2 Features

- Single 3.3V power supply
- Internally matched to 50ohm
- Low noise figure: 1.9dB at 2.5GHz, 1.6dB at 0.4GHz.
- Very wide frequency over 0.05 to 4 GHz
- Flat 20dB gain up to 2.2GHz
- Unconditionally stable
- P1dB over -1.5 dBm at 2.5GHz
- High/Low gain control

3 Typical Applications

- DBS
- LNB IF Amplifier
- DVB
- Cable
- ISM
- General Purpose

UBEC confidential
*** **

4 Pin Configuration

Table 1. Pin Descriptions

Pin #	Description
1	V _{GC}
2, 5	GND1
3	RF out
4	GND2
6	RF in

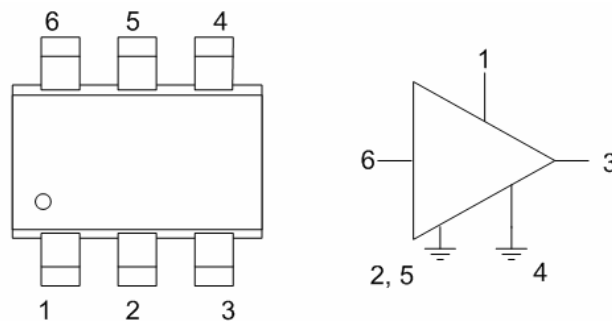
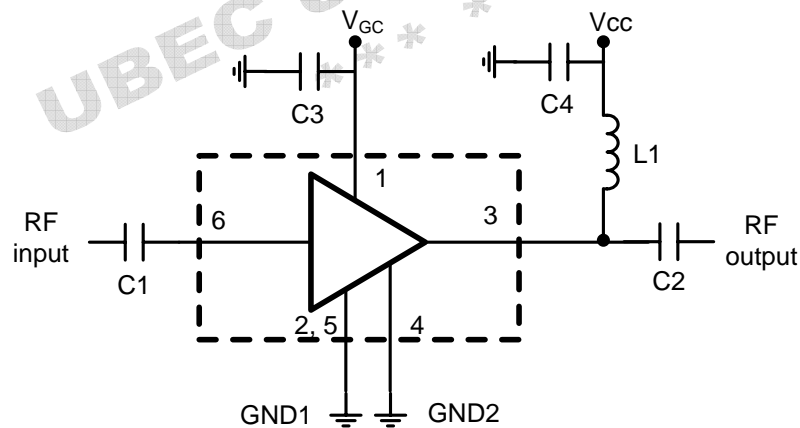


Figure 1. Simplified Outline (SOT363) and Symbol.

5 Application Circuit



C1=C2=100pF, C3=C4=0.1uF. The nominal value of the RF choke, L1 is 33nH. Increasing the inductor value will shift the curve towards the lower frequency region. The operating frequency can be lowered to 50MHz when L1 is larger than 220nH.

Figure 2. Application Circuit Operating Condition

6 Operating Condition

Table 2. Absolute Maximum Ratings

Symbol	Parameters	Conditions	Typ.	Max.	Unit
V _{cc}	DC Supply Voltage	RF input AC coupled	-	4	V
I _{cc}	Supply Current		-	30	mA
P _{tot}	Total Power Dissipation	T _a ≤ 90 °C	-	120	mW
T _{st}	Storage Temperature		-65	150	°C
T _j	Operating Junction Temperature		-40	150	°C
P _D	Maximum Drive Power		-	-5	dBm

Table 3. Thermal Characteristics

Symbol	Parameters	Conditions	Value	Unit
R _{th}	Thermal Resistance from Junction to Solder Point	P _{tot} = 85 mW; T _a ≤ 90 °C	300	K/W

UBEC confidential
 *** **

7 Electrical Characteristics

Table 4. Electrical Characteristics with L1 = 33 nH (High gain mode)

V_{cc} = 3.3 V; I_{cc} = 12 mA; T_a = 25 °C; unless otherwise specified.

Symbol	Parameters	Conditions	Min.	Typ.	Max.	Unit
I _{cc}	Supply Current		-	12	-	mA
S ₂₁ ²	Insertion Power Gain	f = 400 MHz	-	19.5	-	dB
		f = 0.9 GHz	-	20	-	dB
		f = 2.5 GHz	-	20	-	dB
		f = 3 GHz	-	19.5	-	dB
		f = 4 GHz	-	17	-	dB
S ₁₁ ²	Input Return Loss	f = 0.4 GHz	10	-	-	dB
		f = 2.5 GHz	10	-	-	dB
		f = 4 GHz	10	-	-	dB
S ₂₂ ²	Output Return Loss	f = 0.4 GHz	10	-	-	dB
		f = 2.5 GHz	10	-	-	dB
		f = 4 GHz	10	-	-	dB
S ₁₂ ²	Isolation	f = 0.4 GHz	-	31	-	dB
		f = 2.5 GHz	-	31.5	-	dB
		f = 4 GHz	-	34	-	dB
NF	Noise Figure	f = 0.4 GHz	-	1.6	-	dB
		f = 2.5 GHz	-	1.9	-	dB
		f = 4 GHz	-	2.6	-	dB
BW	Bandwidth	at S ₂₁ ² -3 dB below flat gain at 1 GHz	-	3.9	-	GHz
K	Stability Factor	f = 0.9 GHz	-	2	-	-
		f = 2.5 GHz	-	2	-	-
P _{L(sat)}	Saturated Load Power	f = 0.9 GHz	-	5	-	dBm
		f = 2.5 GHz	-	4	-	dBm
P _{L,1 dB}	Load Power	at 1 dB gain compression; f = 0.9 GHz	-	-1	-	dBm
		at 1 dB gain compression; f = 2.5 GHz	-	-1.5	-	dBm
I _{GC}	Control Current	V _{GC} =3.3V	-	0.9	-	mA



Caution: ESD sensitive.

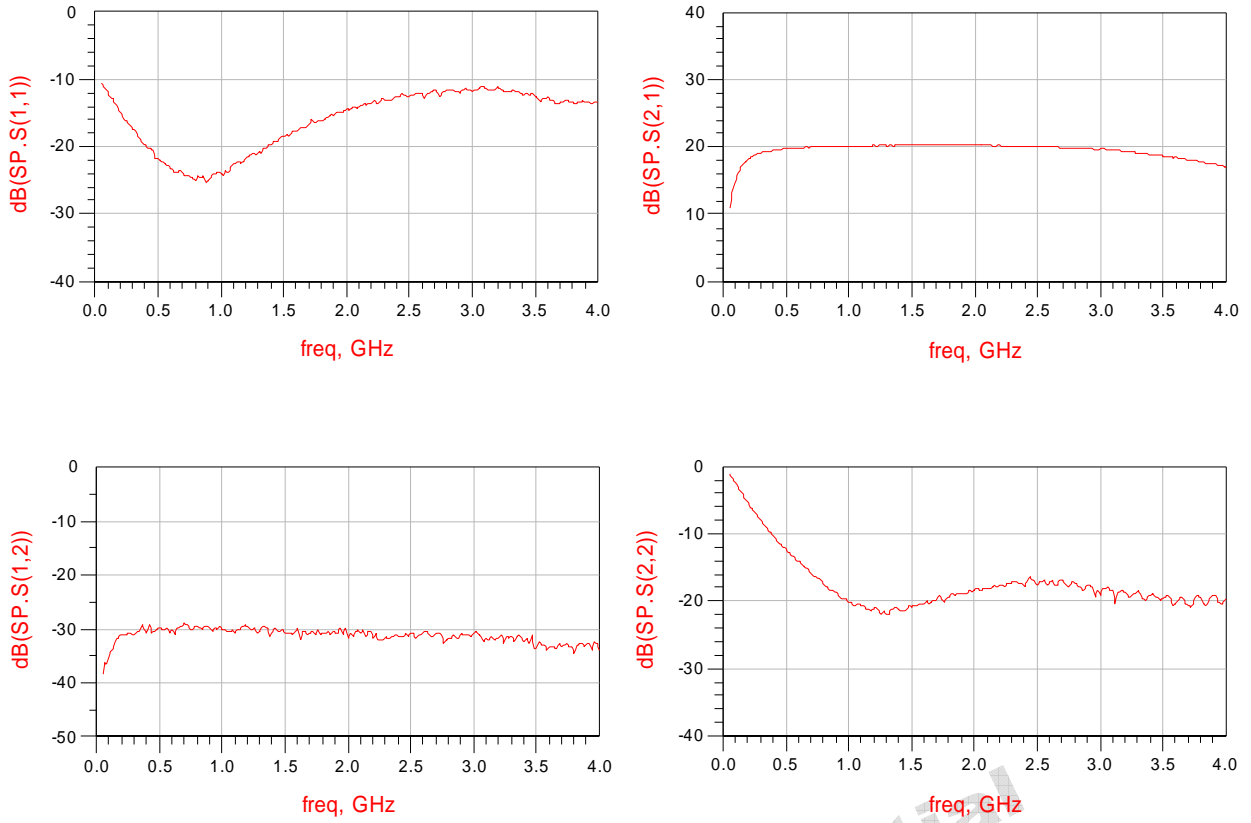


Figure 3. S-parameter ($V_{cc} = 3.3 \text{ V}$, $I_{cc} = 12 \text{ mA}$, $P_{in} = -40 \text{ dBm}$, $Z_O = 50 \Omega$) with $L1 = 33 \text{ nH}$

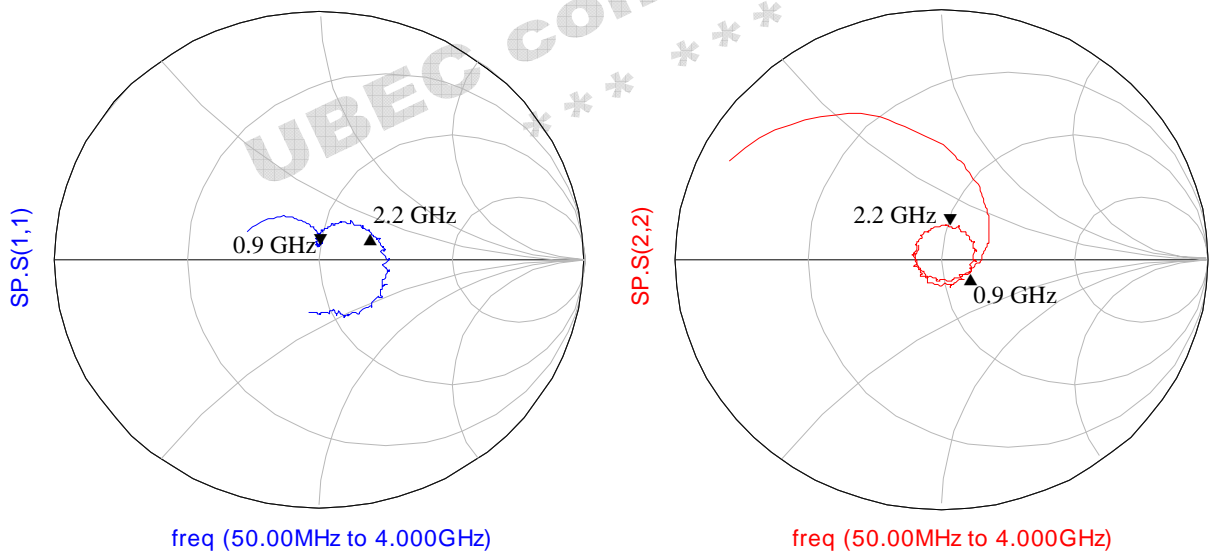


Figure 4. S_{11} & S_{22} ($V_{cc} = 3.3 \text{ V}$, $I_{cc} = 12 \text{ mA}$, $P_{in} = -40 \text{ dBm}$, $Z_O = 50 \Omega$) with $L1 = 33 \text{ nH}$

Table 5. Electrical Characteristics with L1 = 120nH (High gain mode)

 V_{cc} = 3.3 V; I_{cc} = 12 mA; T_a = 25 °C; unless otherwise specified.

Symbol	Parameters	Conditions	Min.	Typ.	Max.	Unit
I _{cc}	Supply Current		-	12	-	mA
S ₂₁ ²	Insertion Power Gain	f = 100 MHz	-	19.4	-	dB
		f = 0.5 GHz	-	19.7	-	dB
		f = 0.9 GHz	-	19.7	-	dB
		f = 1.5 GHz	-	19.7	-	dB
		f = 2 GHz	-	19.6	-	dB
S ₁₁ ²	Input Return Loss	f = 100MHz	10	-	-	dB
		f = 0.9 GHz	10	-	-	dB
		f = 2 GHz	10	-	-	dB
S ₂₂ ²	Output Return Loss	f = 100 MHz	10	-	-	dB
		f = 0.9 GHz	10	-	-	dB
		f = 2 GHz	10	-	-	dB
S ₁₂ ²	Isolation	f = 100 MHz	-	30	-	dB
		f = 0.9 GHz	-	30	-	dB
		f = 2 GHz	-	31	-	dB
NF	Noise Figure	f = 100 MHz	-	1.5	-	dB
		f = 0.9 GHz	-	1.6	-	dB
		f = 2 GHz	-	1.8	-	dB
BW	Bandwidth	at S ₂₁ ² -3 dB below flat gain at 0.9 GHz	-	3.2	-	GHz
K	Stability Factor	f = 100 MHz	-	2	-	-
		f = 2 GHz	-	1.8	-	-
P _{L(sat)}	Saturated Load Power	f = 100 MHz	-	5	-	dBm
		f = 2 GHz	-	4	-	dBm
P _{L,1 dB}	Load Power	at 1 dB gain compression; f = 0.1 GHz	-	-1	-	dBm
		at 1 dB gain compression; f = 2 GHz	-	-1.5	-	dBm
I _{GC}	Control Current	V _{GC} =3.3V	-	0.9	-	mA

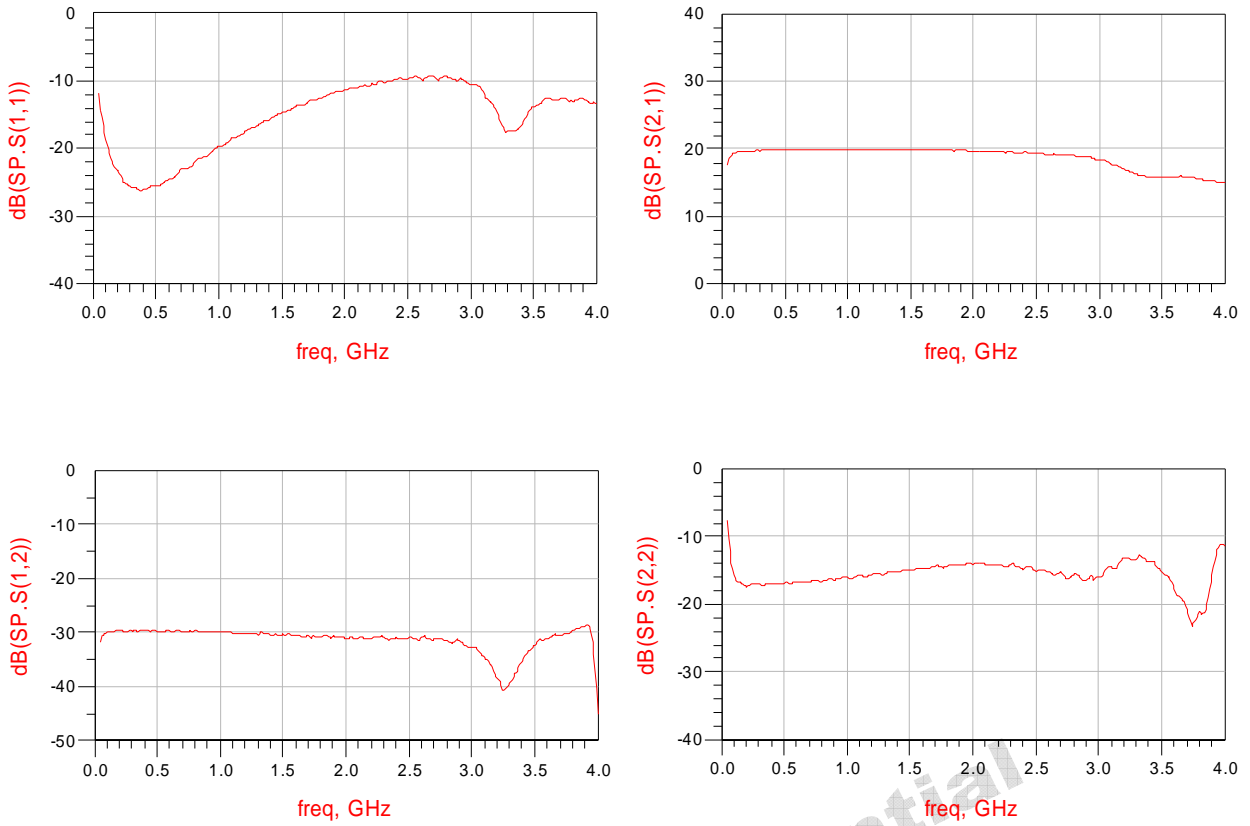


Figure 5. S-parameter ($V_{cc} = 3.3\text{ V}$, $I_{cc} = 12\text{ mA}$, $P_{in} = -40\text{ dBm}$, $Z_O = 50\ \Omega$) with $L1 = 120\text{ nH}$

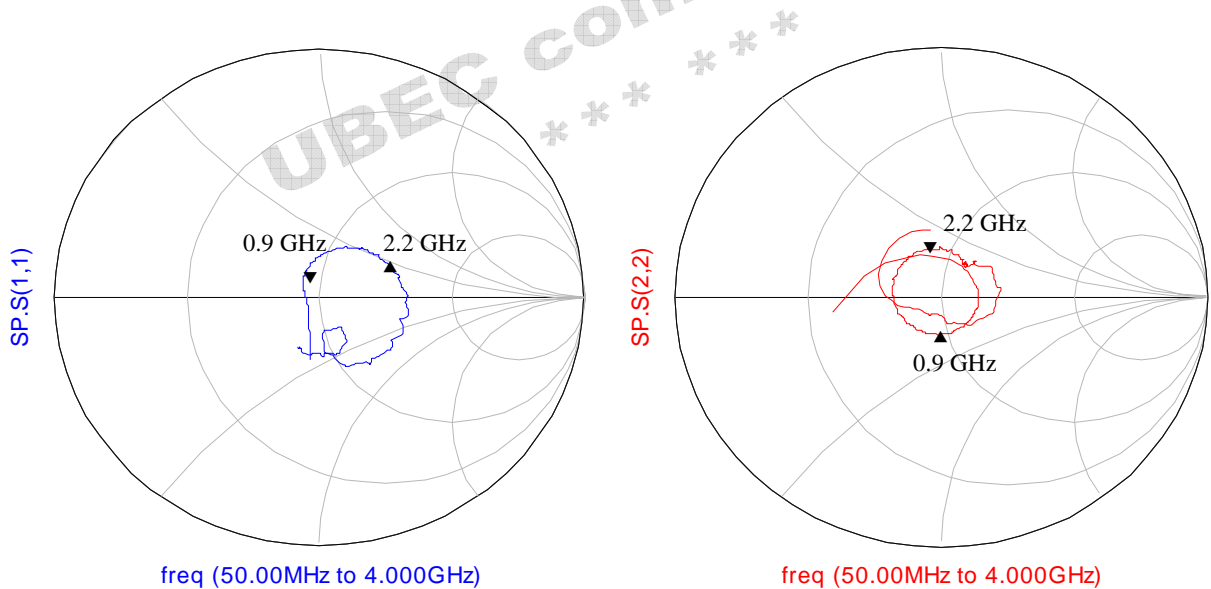


Figure 6. S_{11} & S_{22} ($V_{cc} = 3.3\text{ V}$, $I_{cc} = 12\text{ mA}$, $P_{in} = -40\text{ dBm}$, $Z_O = 50\ \Omega$) with $L1 = 120\text{ nH}$

Table 6. Electrical Characteristics with L1=220nH (High gain mode)
 $V_{CC} = 3.3\text{ V}$; $I_{CC} = 12\text{ mA}$; $T_a = 25\text{ }^\circ\text{C}$; unless otherwise specified.

Symbol	Parameters	Conditions	Min.	Typ.	Max.	Unit
I_{CC}	Supply Current		-	12	-	mA
$ S_{21} ^2$	Insertion Power Gain	f = 50 MHz	-	19	-	dB
		f = 100 MHz	-	19.5	-	dB
		f = 0.4 GHz	-	19.7	-	dB
		f = 0.9 GHz	-	19.7	-	dB
		f = 1.5 GHz	-	19.7	-	dB
$ S_{11} ^2$	Input Return Loss	f = 50MHz	10	-	-	dB
		f = 0.4 GHz	10	-	-	dB
		f = 1.5 GHz	10	-	-	dB
$ S_{22} ^2$	Output Return Loss	f = 50 MHz	10	-	-	dB
		f = 0.4 GHz	10	-	-	dB
		f = 1.5 GHz	10	-	-	dB
$ S_{12} ^2$	Isolation	f = 50 MHz	-	31	-	dB
		f = 0.4 GHz	-	30	-	dB
		f = 1.5 GHz	-	31	-	dB
NF	Noise Figure	f = 50 MHz	-	1.5	-	dB
		f = 0.4 GHz	-	1.6	-	dB
		f = 1.5 GHz	-	1.7	-	dB
BW	Bandwidth	at $ S_{21} ^2$ -3 dB below flat gain at 0.5 GHz	-	2.5	-	GHz
K	Stability Factor	f = 50 MHz	-	2	-	-
		f = 0.9 GHz	-	1.9	-	-
$P_{L(sat)}$	Saturated Load Power	f = 50 MHz	-	5	-	dBm
		f = 0.9 GHz	-	4	-	dBm
$P_{L,1\text{ dB}}$	Load Power	at 1 dB gain compression; f = 50 MHz	-	-0.5	-	dBm
		at 1 dB gain compression; f = 0.9 GHz	-	-1	-	dBm
I_{GC}	Control Current	$V_{GC}=3.3V$	-	0.9	-	mA

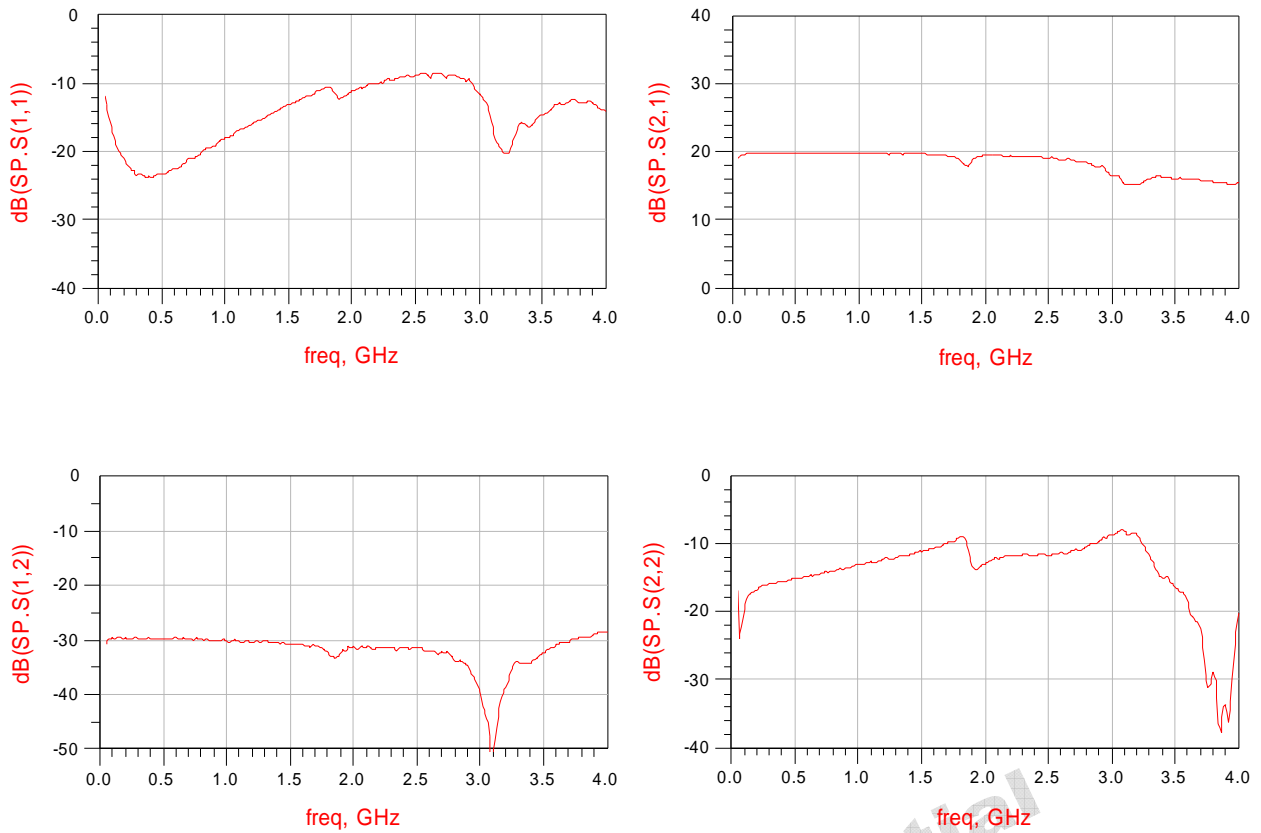


Figure 7. S-parameter ($V_{cc} = 3.3\text{ V}$, $I_{cc} = 12\text{ mA}$, $P_{in} = -40\text{ dBm}$, $Z_O = 50\ \Omega$) with $L1 = 220\text{ nH}$

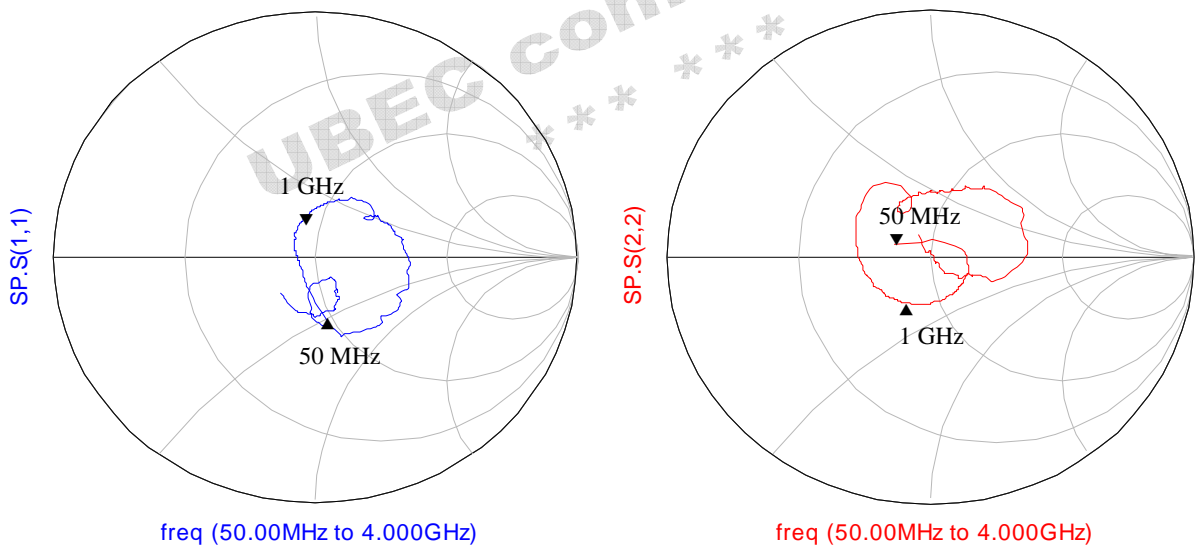


Figure 8. S_{11} & S_{22} ($V_{cc} = 3.3\text{ V}$, $I_{cc} = 12\text{ mA}$, $P_{in} = -40\text{ dBm}$, $Z_O = 50\ \Omega$) with $L1 = 220\text{ nH}$

Table 7. Electrical Characteristics with L1=120nH (Low gain mode)
 $V_{cc} = 3.3\text{ V}$; $I_{cc} = 5\text{ mA}$; $T_a = 25\text{ }^\circ\text{C}$; unless otherwise specified.

Symbol	Parameters	Conditions	Min.	Typ.	Max.	Unit
I_{cc}	Supply Current		-	5	-	mA
$ S_{21} ^2$	Insertion Power Gain	f = 100 MHz	-	-18	-	dB
		f = 0.5 GHz	-	-17	-	dB
		f = 0.9 GHz	-	-17	-	dB
		f = 1.5 GHz	-	-18	-	dB
		f = 2 GHz	-	-18.5	-	dB
$ S_{11} ^2$	Input Return Loss	f = 100MHz	-2	-	-	dB
		f = 0.9 GHz	-2	-	-	dB
		f = 2 GHz	-2	-	-	dB
$ S_{22} ^2$	Output Return Loss	f = 100 MHz	-4.5	-	-	dB
		f = 0.9 GHz	-4	-	-	dB
		f = 2 GHz	-4	-	-	dB
$ S_{12} ^2$	Isolation	f = 100 MHz	-	20	-	dB
		f = 0.9 GHz	-	21	-	dB
		f = 2 GHz	-	23.5	-	dB
NF	Noise Figure	f = 100 MHz	-	16	-	dB
		f = 0.9 GHz	-	17	-	dB
		f = 2 GHz	-	18	-	dB
BW	Bandwidth	at $ S_{21} ^2$ -3 dB below flat gain at 0.9 GHz	-	4.5	-	GHz
K	Stability Factor	f = 100 MHz	-	9.5	-	-
		f = 2 GHz	-	14.5	-	-
$P_{In,1\text{ dB}}$	Load Power	at 1 dB gain compression; f = 0.1 GHz	-	2	-	dBm
		at 1 dB gain compression; f = 2 GHz	-	0	-	dBm
I_{GC}	Control Current	$V_{GC}=0V$	-	-4	-	mA

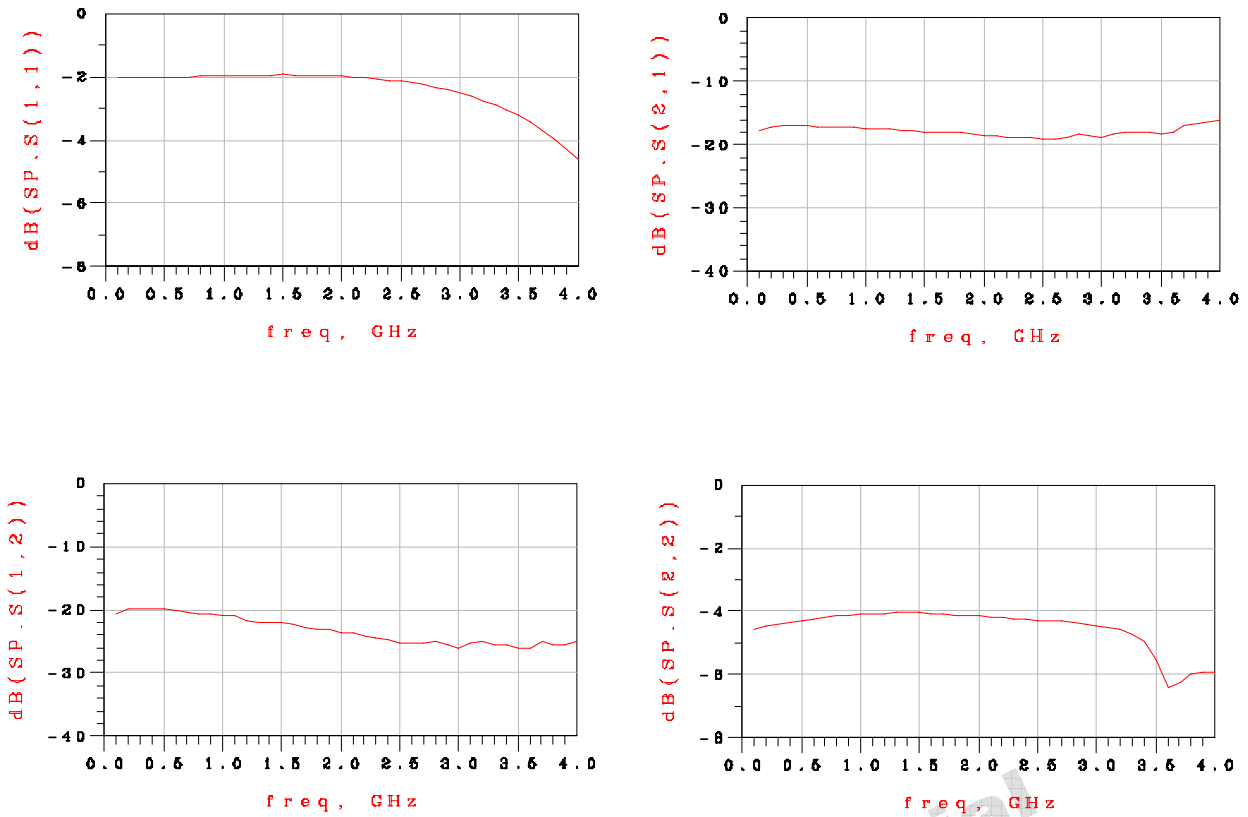


Figure 7. S-parameter ($V_{cc} = 3.3 \text{ V}$, $I_{cc} = 5 \text{ mA}$, $P_{in} = -40 \text{ dBm}$, $Z_O = 50 \Omega$) with $L1 = 120 \text{ nH}$

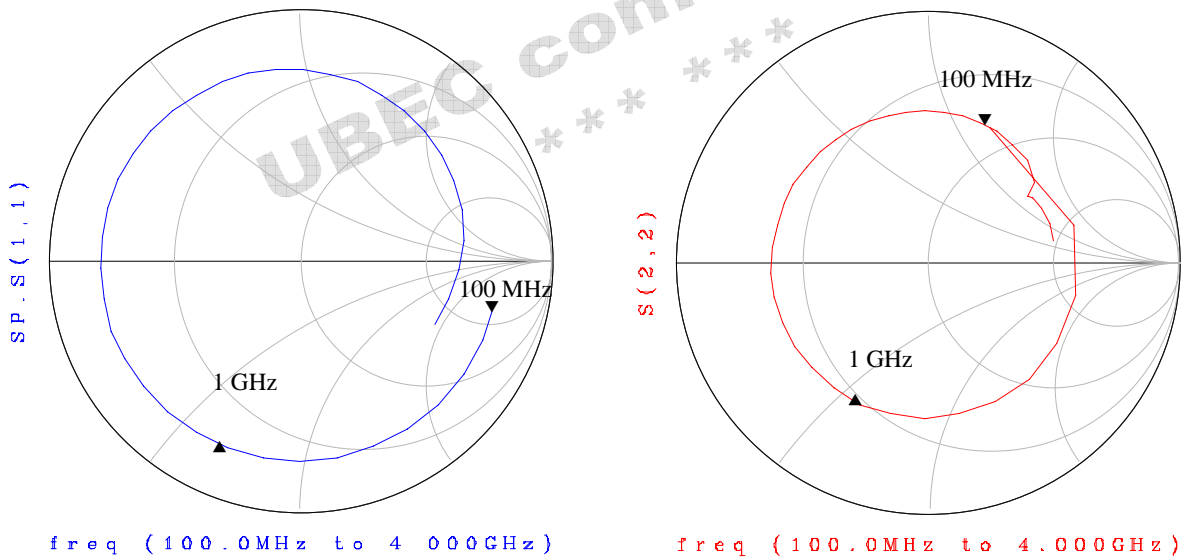


Figure 8. S_{11} & S_{22} ($V_{cc} = 3.3 \text{ V}$, $I_{cc} = 5 \text{ mA}$, $P_{in} = -40 \text{ dBm}$, $Z_O = 50 \Omega$) with $L1 = 120 \text{ nH}$

8 Package Drawing

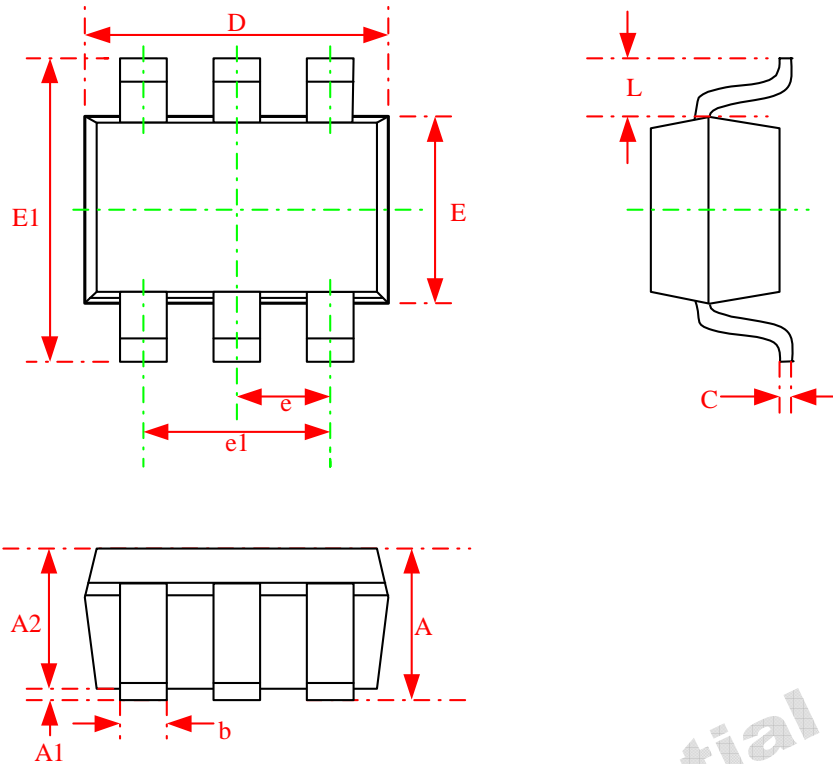


Figure 9. Package Outline

Table 7. Dimension Description

Symbol	Millimeters		Inches	
	Min.	Max.	Min.	Max.
A	0.90	1.10	.038	.044
A1	0.025	0.10	.001	.004
A2	0.875	1.00	.035	.040
b	0.20	0.40	.008	.016
C	0.10	0.15	.004	.006
D	1.90	2.10	.076	.084
E	1.15	1.35	.046	.054
E1	2.00	2.20	.080	.088
e	0.65 BSC.		.026 BSC.	
e1	1.30 BSC.		.052 BSC.	
L	0.425 REF.		.017 BSC.	