

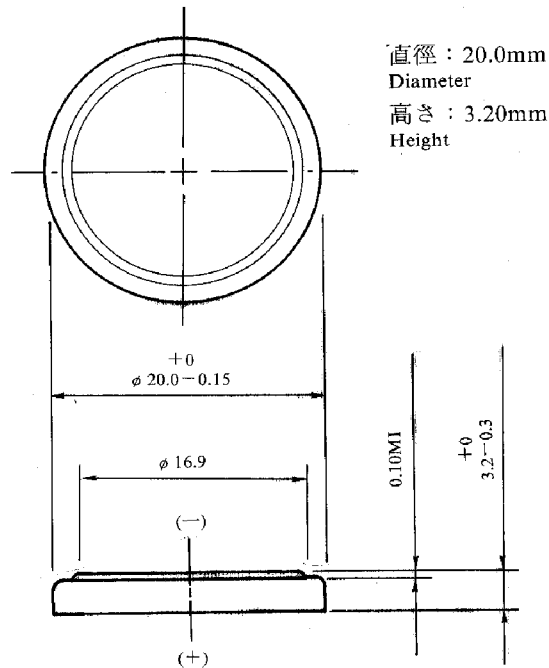
DATA SHEET **K. T. S.**

二酸化マンガン・リチウム電池 **CR2032**
Lithium Manganese Dioxide Battery

■ **技術参数** Technical Data

型號 Model	標稱 電壓 Nominal Voltage (V)	最大外型尺寸 f×H Maximum Overall Dimension φ×H (mm)	重量 Weight (g)	新電性能 Performance of New Batteries				保證 儲存期 (月) Guarantee Shelf Life (month)	Rated Capacity
				放電時間 Discharge Time (h)	放電條件 Discharge Conditions		放電方法 Discharge method		
					負荷電阻 Load Resistance (Ω)	終止電壓 Cut-off Voltage (V)			
CR2032	3.0	20×3.2	3.1	1100	15K	2.4	連續放電 CONTINUOUS DISCHARGE	220 mAh on 15kΩ to 2.0V at 23°C	

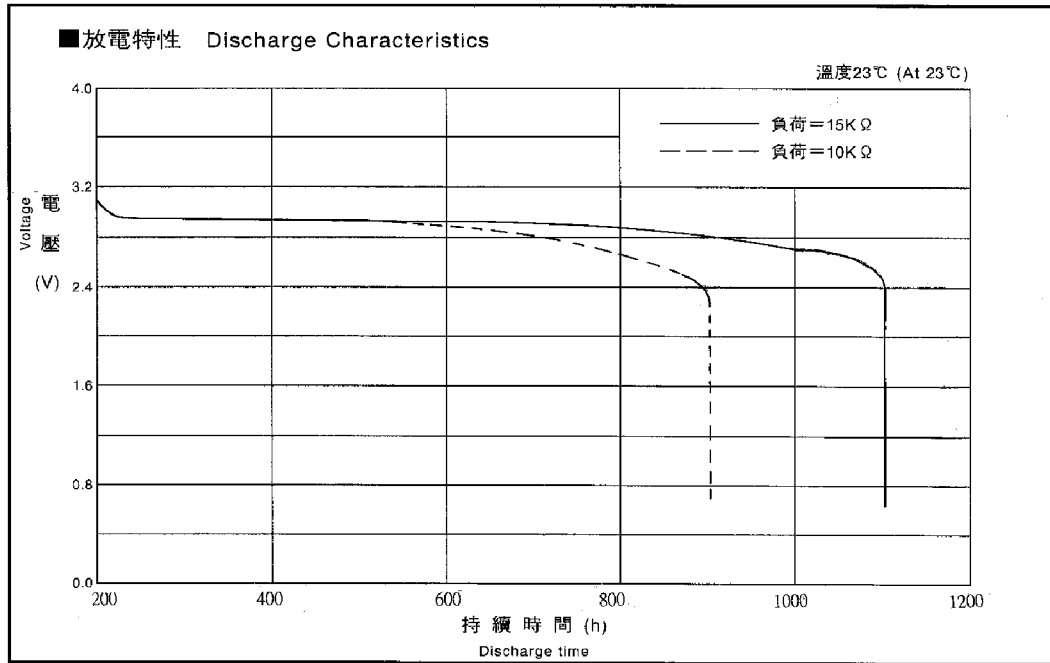
■ **外形寸法** Dimensions (mm)



VIC-DAWN ENTERPRISE CO., LTD.

TOTAL: 5 PAGES P1/5

DATA SHEET

K. T. S.

■ 使用與維護

1. 運輸、保管、使用時切勿使電池受潮，受熱與曝曬，應存放在乾燥、通風、陰涼的地方。
2. 切勿與其他化學電源混合使用。
3. 注意電池正、負極性，切勿接錯，嚴防短路，並注意接觸良好。
4. 切勿將電池投入火中，也不能充電。
5. 電池使用失效應即時從器具中取出。

Use and Maintenance:

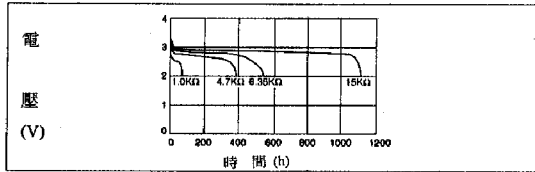
1. KEEP THE BATTERIES AWAY FROM MOISTURE, HEAT AND DIRECT SUNLIGHT DURING TRANSPORTATION, STORAGE AND USE. STORE IN A DRY, COOL AND WELL VENTILATED PLACE.
2. NEVER USE WITH OTHER CHEMICAL SOURCES OF ENERGY.
3. MAKE SURE THAT THE CONTACT IS GOOD AND THE POSITIVE AND NEGATIVE POLES ARE CORRECTLY CONNECTED TO AVOID SHORT-CIRCUIT.
4. DO NOT RECHARGE OR DISPOSE OF BATTERIES IN FIRE.
5. EXHAUSTED BATTERIES SHOULD BE REMOVED FROM THE ELECTRIC APPLIANCES IN TIME.

VIC-DAWN ENTERPRISE CO., LTD.

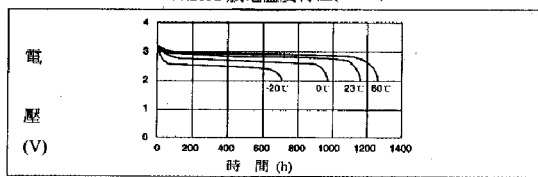
TOTAL: 5 PAGES P2/5

DATA SHEET **K. T. S.**

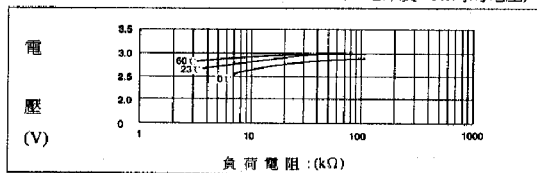
CR2032 放電負荷特性(23°C)



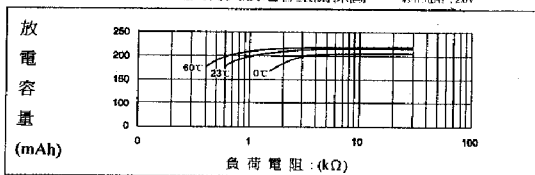
CR2032 放電溫度特性(15kΩ)



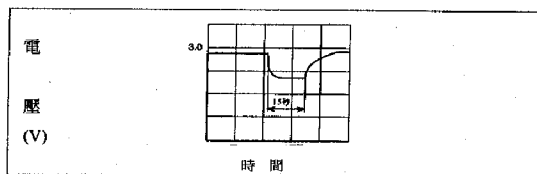
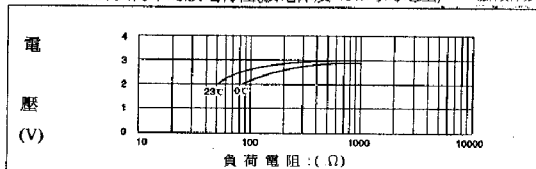
CR2032 放電負荷與工作電壓關係圖(放電深度 40%時的電壓)



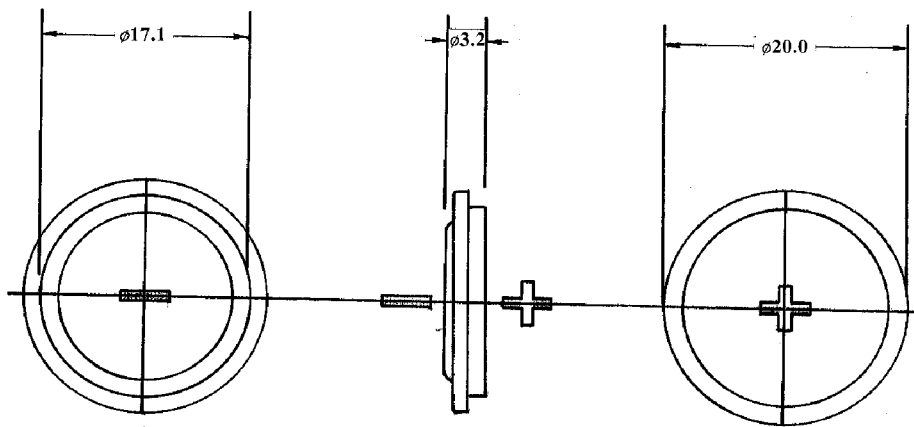
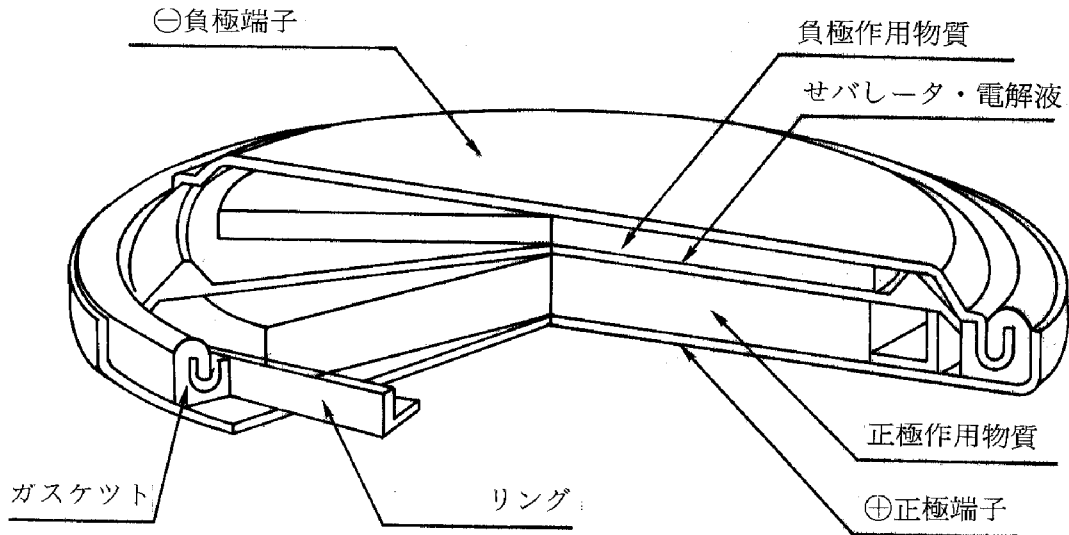
CR2032 放電負荷與放電容量關係圖 終止電壓: 2.0V



CR2032 脈沖負荷下的放電特性(放電深度 40%時的電壓) 脈沖負荷: 15 1600mA



DATA SHEET **K. T. S.**

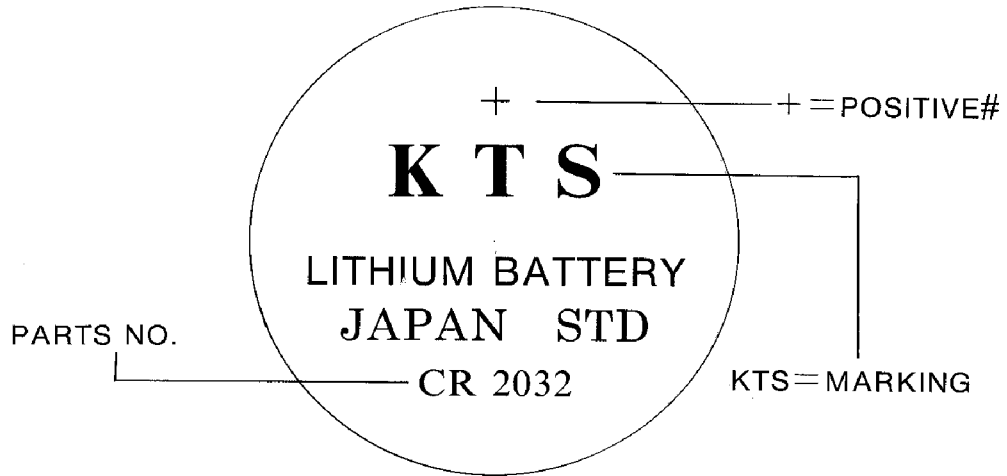


CR2032

VIC-DAWN ENTERPRISE CO., LTD.

TOTAL: 5 PAGES P4/5

DATA SHEET **K. T. S.**



VIC-DAWN ENTERPRISE CO., LTD.



CUSTOMERS

REGULATORS

CONSUMERS

RETAILERS

**BBCV2.MH20550
Lithium Batteries - Component**

[Page Bottom](#)

[Notice of Disclaimer](#)

[Previous Page](#)

Lithium Batteries - Component

Guide Information

VIC-DAWN ENTERPRISE CO LTD
3RD FL
10 LANE 345 YANG KUANG ST
NAN HU DISTRICT
TAIPEI, TAIWAN

MH20550

Model No.	Max Abnormal Charging Current mA (a)	User Replaceable
Lithium/manganese dioxide cells and batteries.		
CR2032	10	Yes (b)
CR2025	10	Yes (b)

(a) These cells and batteries are not rechargeable. The circuit containing the cells or batteries is to contain a protective component which prevents charging. The circuitry is to include a current limiting component which is intended to protect the cell or battery, in the event the protective component malfunctions, from a charging current in excess of the maximum abnormal charging current indicated.

(b) These cells and batteries are intended for use in applications subject to replacement by the user.

Marking: Company name or tradename "KTS" and model designation.

[Page Top](#)

[Notice of Disclaimer](#)

[Previous Page](#)

UL Listed and Classified Products UL Recognized Components Products Certified for Canada

This page and all contents are Copyright © 2001 by Underwriters Laboratories Inc.®

The appearance of a company's name or product in this database does not in itself assure that products so identified have been manufactured under UL's Follow-Up Service. Only those products bearing the UL Mark should be considered to be Listed and covered under UL's Follow-Up Service. Always look for the Mark on the product.