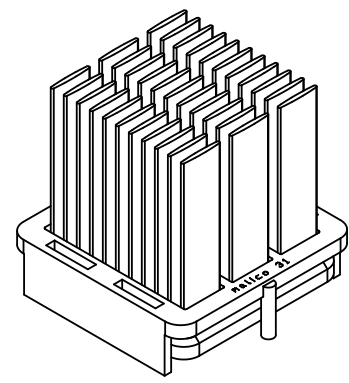
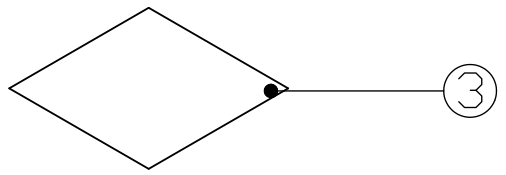
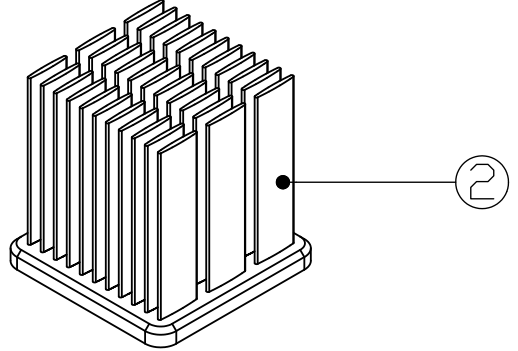
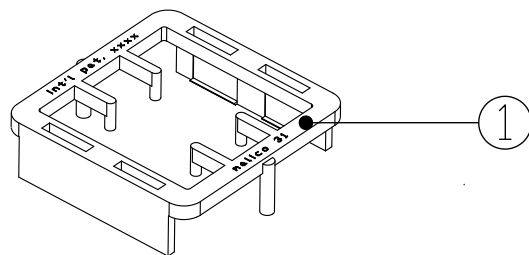



Rev.	Description	Date	Checked
A	new release	03.22.2013	Wena

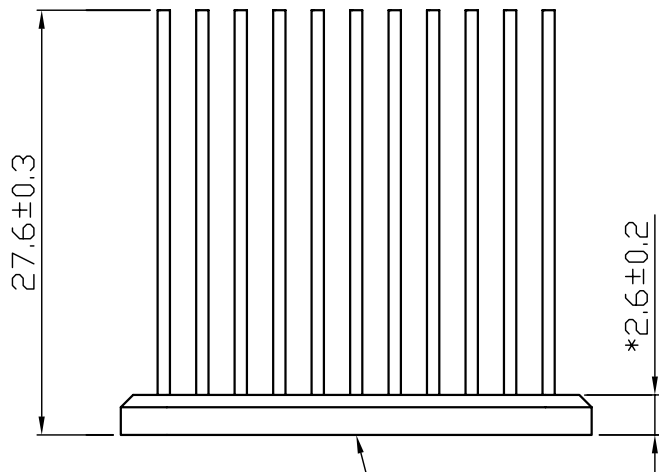
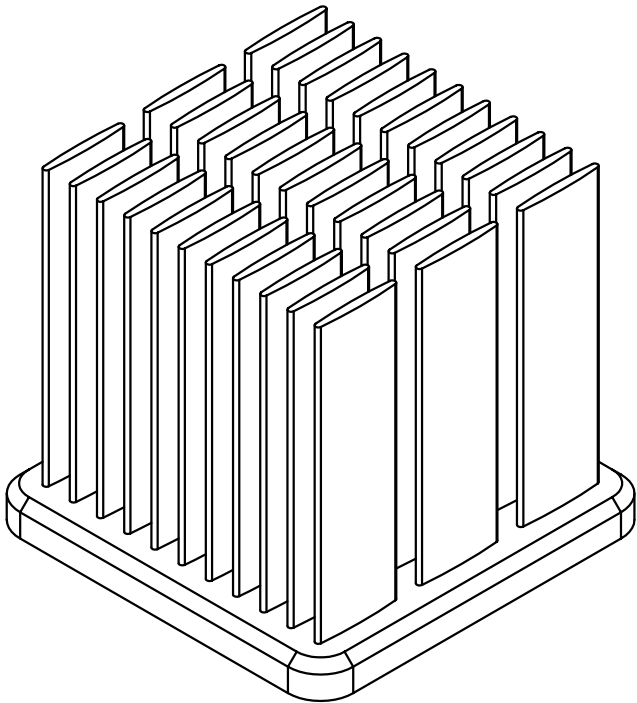
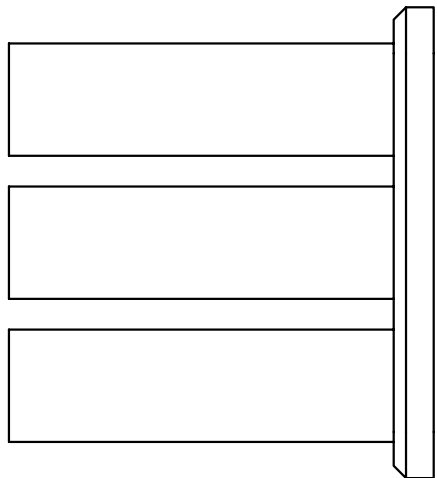
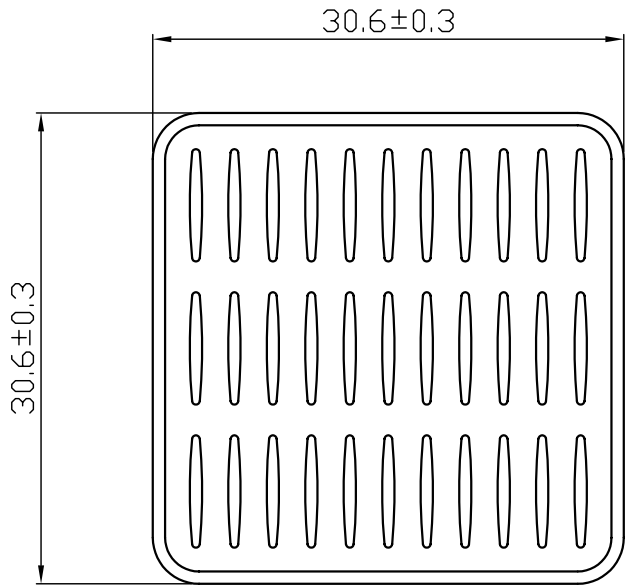


Notes:

Item	Description	Dimension (mm)	Material	Finish / Color	Qty
1	DCLIP034340900-00	33.7 x 33.2 x 9.1	plastic	blue	1
2	BMBH0131312800-07	30.6 x 30.6 x 27.6	AL 6063	black anodize	1
3	F002-00077	29 x 29 x 0.13	T710		1

Finish: see notes	 Mega-Chip Electronics Pte Ltd.			
Material: see notes				
Date: 03.22.2013	Approved: Audl	Checked: Nicole	Drawn: Wena	Rev.: A
Title: assembly	Model no. : CMBA0131312804-00 (MBA31001-28W/2.6BU+T710)			

REV	ALTERATION	DATE	CHECKED
A	NEWRELEASE	02.10.2006	Wen



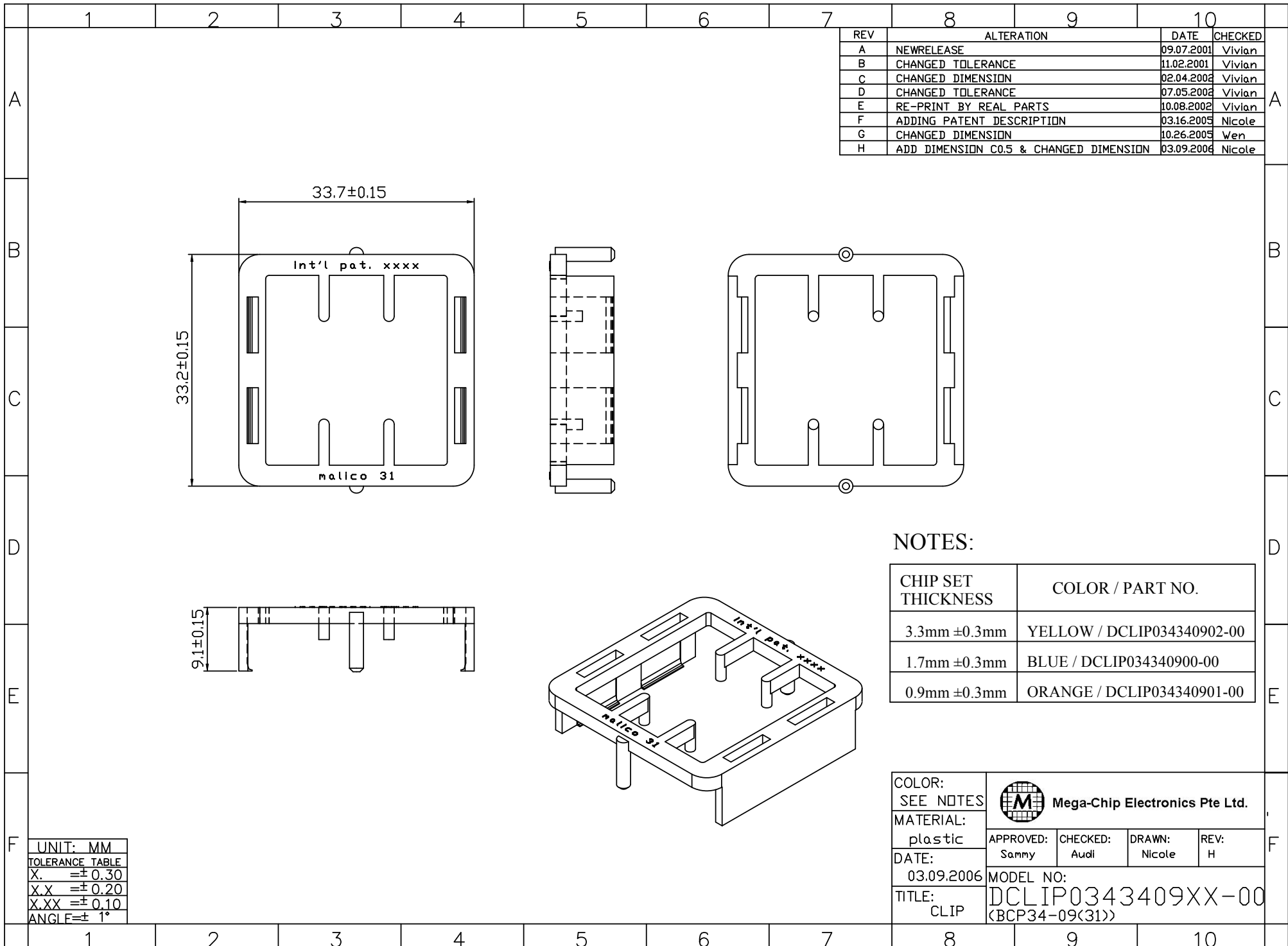
0.1

UNIT:	MM
TOLERANCE TABLE	
X.	±0.30
X.X	±0.20
X.XX	±0
ANGLE	

FINISH:	BLACK ANODIZE					
MATERIAL:	6063					
DATE:	02.10.2006	APPROVED:	Sammy	CHECKED:	Audi	
TITLE:	HEATSINK		DRAWN:	Wen	REV:	A
MODEL NO:		BMBH0131312800-07				
		(MBH31001-28W/2.6)				




Mega-Chip Electronics Pte Ltd.



NOTES:

CHIP SET THICKNESS	COLOR / PART NO.
3.3mm ± 0.3 mm	YELLOW / DCLIP034340902-00
1.7mm ± 0.3 mm	BLUE / DCLIP034340900-00
0.9mm ± 0.3 mm	ORANGE / DCLIP034340901-00

COLOR: SEE NOTES	 Mega-Chip Electronics Pte Ltd.			
MATERIAL: plastic				
DATE: 03.09.2006	MODEL NO: DCLIP0343409XX-00			
TITLE: CLIP	(BCP34-09(31))			

UNIT: MM
TOLERANCE TABLE
X. = ± 0.30
X.X = ± 0.20
X.XX = ± 0.10
ANGLF = $\pm 1^\circ$