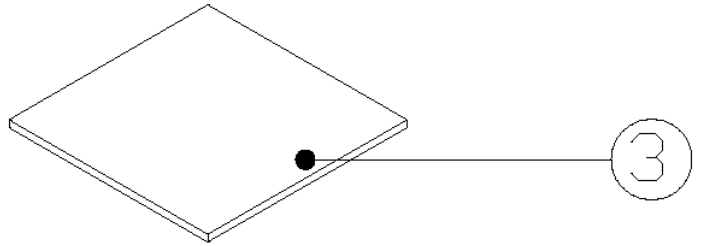
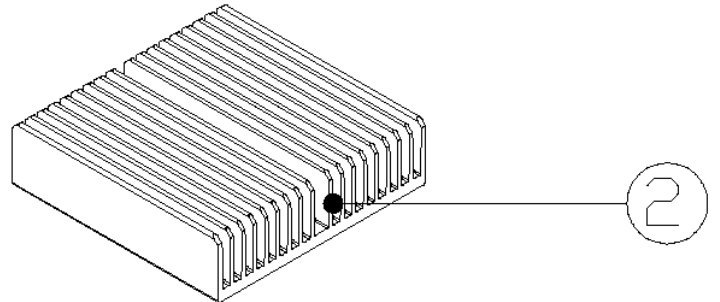
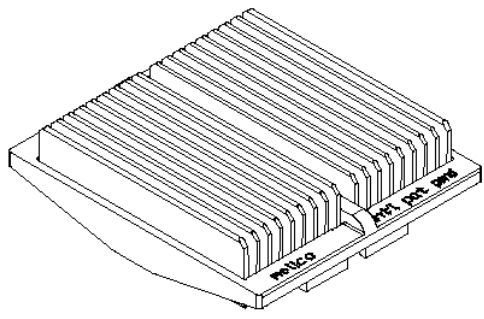
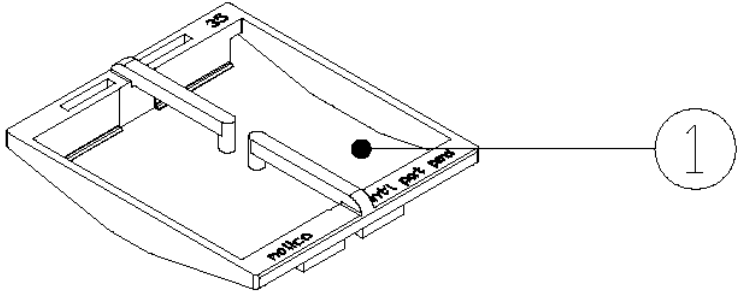



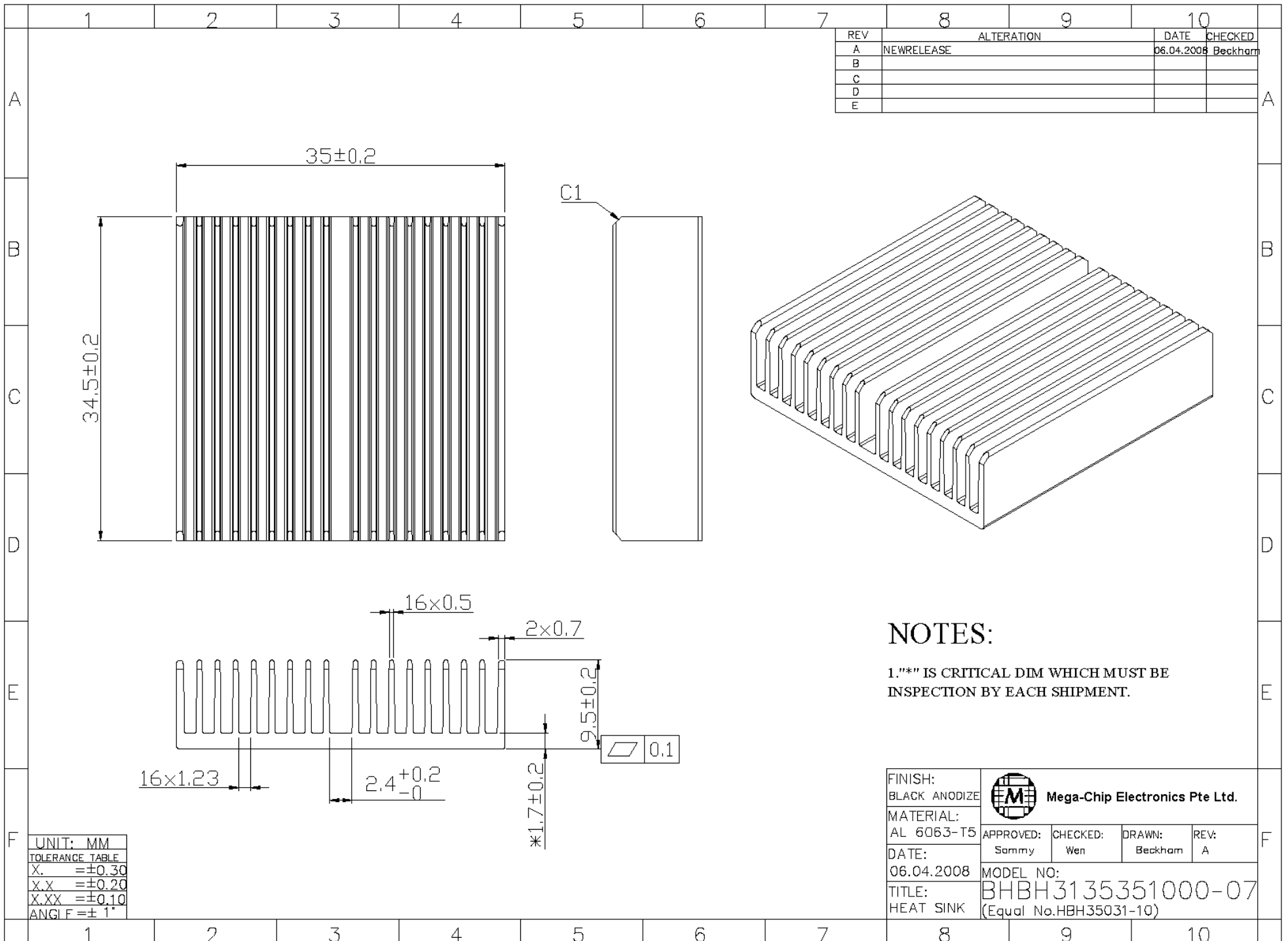
REV.	DESCRIPTION	DATE	CHECKED
A	NEW RELEASE	08.09.2013	LUCY



NOTES:

ITEM	DESCRIPTION	P/N.	DIMENSION (MM)	MATERIAL	FINISH / COLOR	QTY
1	CLIP	DCLIP042390802-00	42.4 x 37.8 x 7.5	PLASTIC	YELLOW	1
2	HEAT SINK	BHBH3135351000-07	35 x 34.5 x 9.5	AL 6063	BLACK ANODIZE	1
3	PAD	F002-00449	33 x 33 x 0.15	AT900A		1


FINISH:	 Mega-Chip Electronics Pte Ltd.			
SEE NOTES				
MATERIAL:	APPROVED:	CHECKED:	DRAWN:	REV.:
SEE NOTES	AUDI	WEN	LUCY	A
DATE:	P/N:			
08.09.2013	CHBA3135351033-00 (HBA35031-10Y+AT900A)			
TITLE:				
ASSEMBLY				



REV	ALTERATION	DATE	CHECKED
A	NEWRELEASE	06.04.2008	Beckham
B			
C			
D			
E			

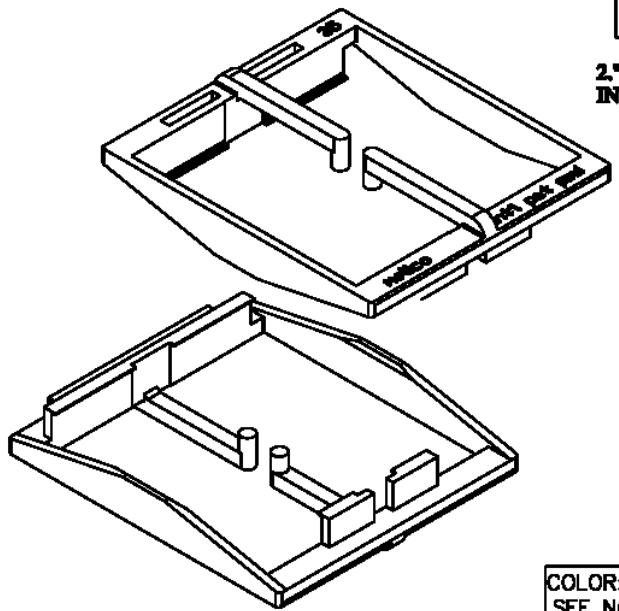
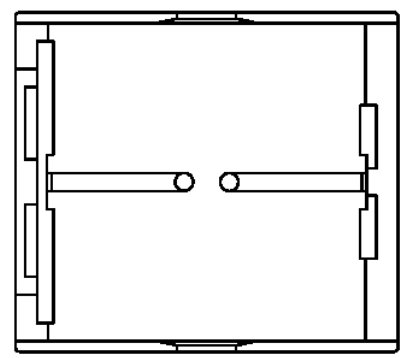
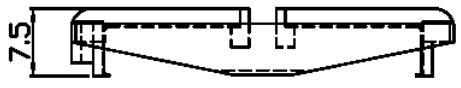
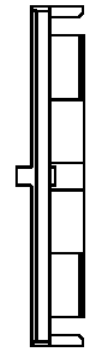
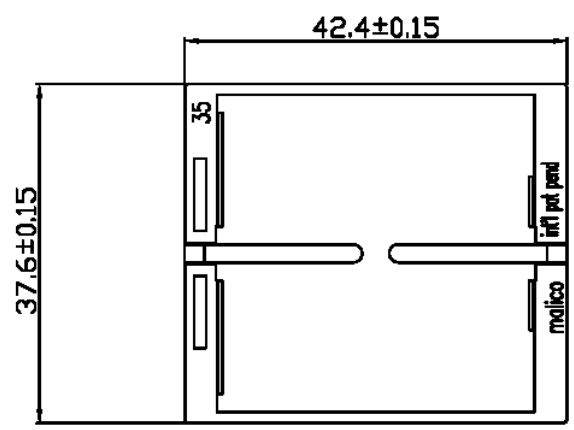
NOTES:

1."*" IS CRITICAL DIM WHICH MUST BE INSPECTION BY EACH SHIPMENT.

FINISH: BLACK ANODIZE	 Mega-Chip Electronics Pte Ltd.		
MATERIAL: AL 6063-T5	APPROVED: Sammy	CHECKED: Wen	DRAWN: Beckham
DATE: 06.04.2008	REV: A		
TITLE: HEAT SINK	MODEL NO: BHBH3135351000-07 (Equal No.HBH35031-10)		

UNIT: MM
TOLERANCE TABLE
X. = ±0.30
X.X = ±0.20
X.XX = ±0.10
ANGLE = ± 1°

REV	ALTERATION	DATE	CHECKED
A	NEWRELEASE	10.04.2006	Nicole
B	CHANGED STANDOFF DIMENSION	04.20.2007	Nicole
C	Changed the mark on clip	06.12.2007	Kengli
D			
E			




NOTES:

1.

CHIP SET THICKNESS	COLOR/PART NO.
2.1mm-2.6mm	YELLOW / DCLIP042380802-00
1.5mm-2.0mm	BLUE / DCLIP042380800-00
0.9mm-1.4mm	ORANGE / DCLIP042380801-00

2.*** IS CRITICAL DIM WHICH MUST BE INSPECTION BY EACH SHIPMENT.

UNIT: MM
TOLERANCE TABLE
X. = ±0.30
X.X = ±0.20
X.XX = ±0.10
ANGLE = ± 1°

COLOR: SEE NOTES 1	 Mega-Chip Electronics Pte Ltd.			
MATERIAL: PLASTIC	APPROVED: Sammy	CHECKED: Audl	DRAWN: Kengli	REV: C
DATE: 06.12.2007	MODEL NO: DCLIP0423808XX-00			
TITLE: CLIP	(Equal No.BCP4238-08(35))			