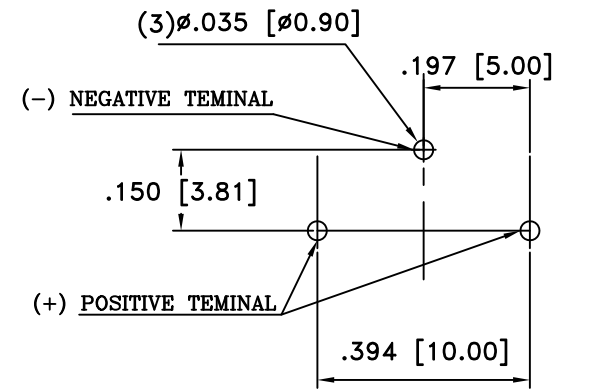
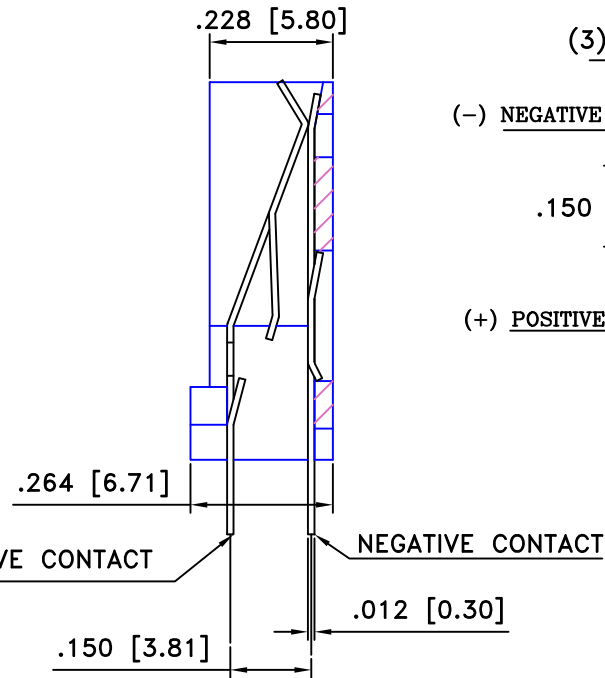
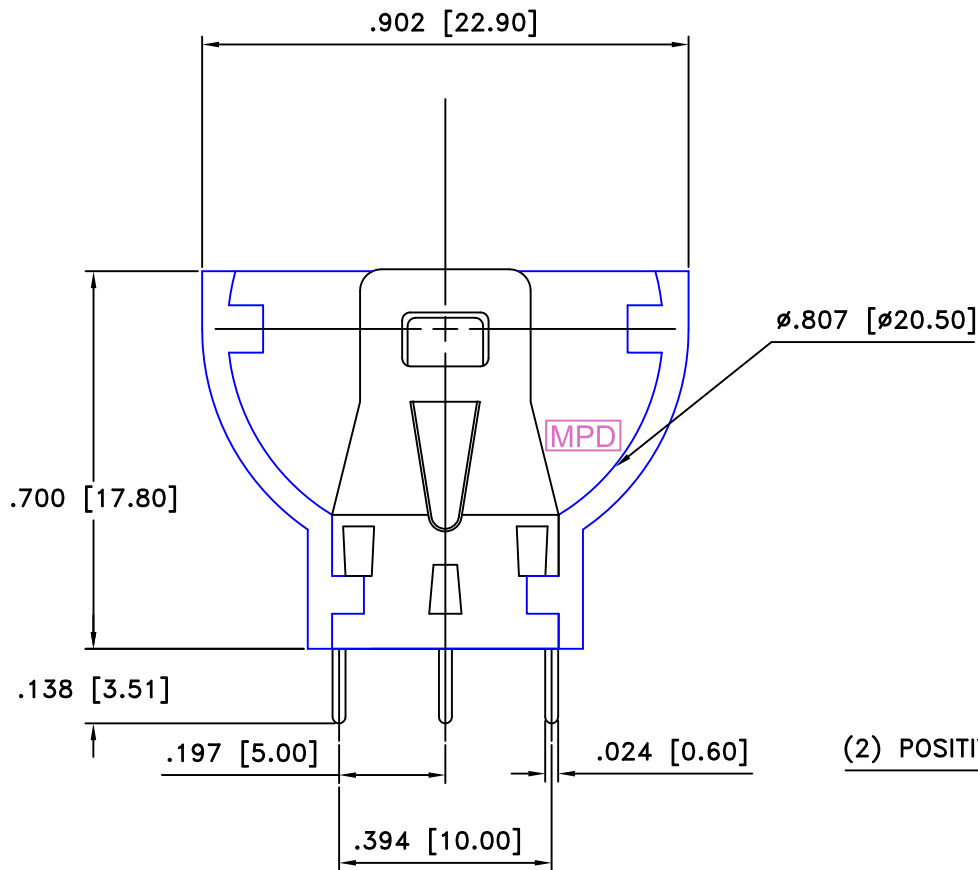


Date	SYM	REVISION RECORD	AUTH	DR.	CK.
12/05/14	F	UPDATED TO ROHS 2 COMPLIANT	T.B.	B.S.	
07/22/16	G	ADDED MPD LOGO	T.B.	B.S.	
10/28/16	H	UPDATED SIDE VIEW ADDED DIM. 0.264	T.B.	B.S.	



PCB HOLE LAYOUT

MATERIAL

BODY: NYLON 66 WITH 30% GLASS FILLED, UL FILE NO. E196894

FLAMMABILITY RATING: UL94V-0

CONTACT: PHOSPHOR BRONZE

FINISH

CONTACT: NICKEL PLATED

SPECIFICATIONS

APPLICATION FOR 3V LITHIUM BATTERY


INSULATOR RESISTANCE: 5000 M MIN.

OPERATION TEMPERATURE: -40°C TO +200°C

DURABILITY: 50 CYCLES MIN

CONTACT RESISTANCE: 30 M MAX

ROHS 2 COMPLIANT

Tolerance (Except as noted)	 Memory protection Devices, Inc 200 Broad Hollow Road, Farmingdale, New York 11735		
decimal $\pm .5$ (.020)		Scale 4=1	Drawn By T.S. Approved By T.B.
Fractional $\pm .8$ (.030)	Title BR/CR 2032 VERTICAL LITHIUM BATTERY HOLDER		
Angular $\pm 3^\circ$	Date 10/28/16	Drawing Number BS-5	