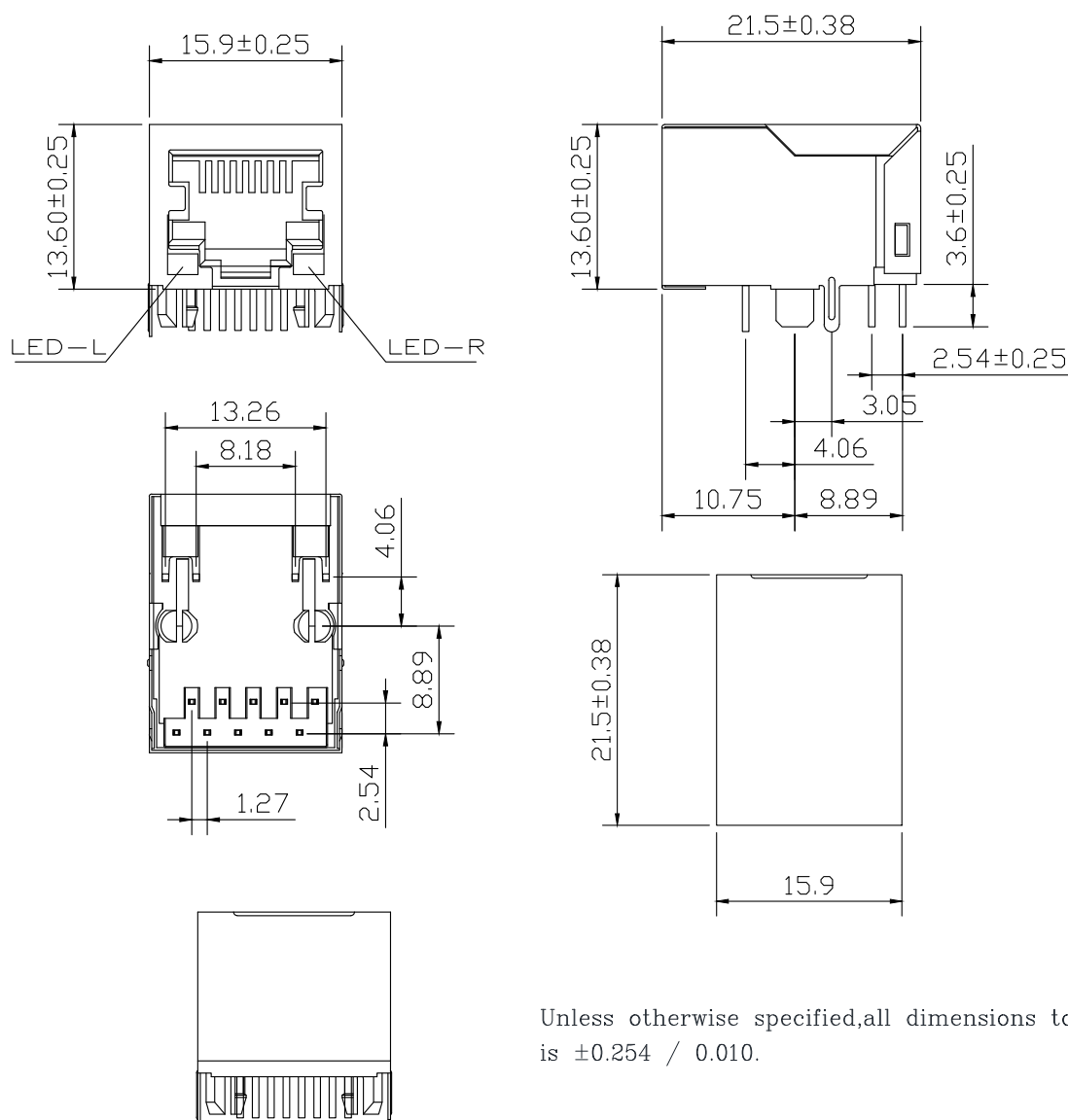


Part Number: AE-RJD102B006H

1*1 Port RJ45 10/100/1000Base-T Network Connector

- RoHS compliant.
- Housing: PA66 Black UL94V-0.
- Shielding: Thickness With Brass.
- Contact: Phosphor bronze. With 6μ" gold plating.
- Operating Temperature: -40°C TO +85°C.

Mechanicals:

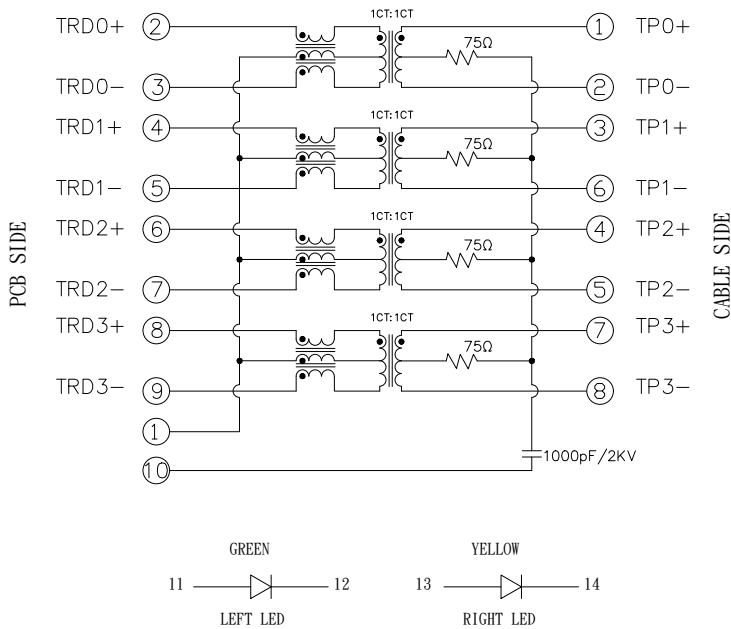


Unless otherwise specified, all dimensions tolerances is $\pm 0.254 / 0.010$.

Part Number: AE-RJD102B006H

1*1 Port RJ45 10/100/1000Base-T Network Connector

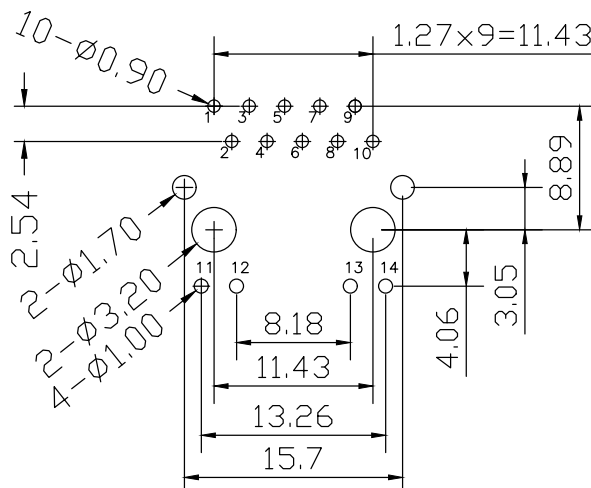
Schematic



Electrical Characteristics:

- 1.TR:(100KHz,0.1V);
PINS:(P2-P3):(J1-J2)=1:1±3%
PINS:(P4-P5):(J3-J6)=1:1±3%
PINS:(P6-P7):(J4-J5)=1:1±3%
PINS:(P8-P9):(J7-J8)=1:1±3%
- 2.LX:(100KHz,100mV)
350uH MINIMUM With 8mA, DC Bias;
- 3.DCR:
PINS:(P2-P3),(P4-P5),(P6-P7),(P8-P9)= 1.2 OHMS
MAXIMUM;
- 4.HI-POT:
PINS(P1)TO(J1,J3,J4,J7)=2250VDC;
- 5.INSERTION LOSS:
-1.0dB MAXIMUM AT 1MHz TO 100MHz;
- 6.RETURN LOSS:
-18dB MINIMUM AT 1MHz TO 30MHz;
-16dB MINIMUM AT 30MHz TO 60MHz;
-12dB MINIMUM AT 60MHz TO 80MHz;
-10dB MINIMUM AT 80MHz TO 100MHz;
- 7.CROSS TALK:
-30dB MINIMUM AT 1MHz TO 100MHz;
- 8.COMMON TO COMMON MODE REJECTION:
-30dB MINIMUM AT 1MHz TO 100MHz;

Recommended PCB Layout:



RECOMMENDED P.C.B LAYOUT(PCB THICKNESS: 1.6mm)
COMPONENT SIDE VIEW(TOLERANCE: ±0.05mm)

Part Number: AE-RJD102B006H

1*1 Port RJ45 10/100/1000Base-T Network Connector

Page: 3/3

Reliability Test And Condition:

Test Item	Test Condition	Cycles or Hours	Reference
Vibration Test	1. Amplitude: 0.75mm 2. Frequency: 5-500Hz 3. Number of sweep cycles per axis 10 4. Direction: X. Y. Z	Duration: 2 hours each direction	IEC-68-2-6
Drop Test	1. Height: 1m 2. Concrete platform	6 Times	IEC-68-2-32
Thermal Shock Test	1. Low temperature: -40°C 2. High temperature: + 85°C 3. Soak time: 30 minutes 4. Transition time: less than 20 minutes	5 Cycles	IEC-68-2-14
Solderability Test	Dipped in 245±5 °C molten solder	Time: 3~5 seconds	IEC-68-2-20
High Temperature Test	1. Humidity: less than 50% RH 2. Temperature: 85±2 °C	Duration: 96 hours	IEC-68-2-2
Low Temperature Test	Temperature: -40±3 °C	Duration: 96 hours	IEC-68-2-1