

**80**mm sq.

# San Ace 80

25mm thick (S type)



**General Specifications** With a pulse sensor Specifications for pulse sensors ⇔ Refer to Page 297

- Material ..... Frame: Plastics (Flammability: UL94V-0),  
Impeller: Plastics (Flammability: UL94V-1)
- Expected Life ..... Varies for each model (L10: Survival rate: 90% at 60°C, rated voltage, and continuously run in a free air state)
- Lead Wire ..... ⊕red ⊖black Sensor yellow
- Storage Temperature ..... -30°C to +70°C (Non-condensing)

**80×80×25mm** (Mass : 75g)

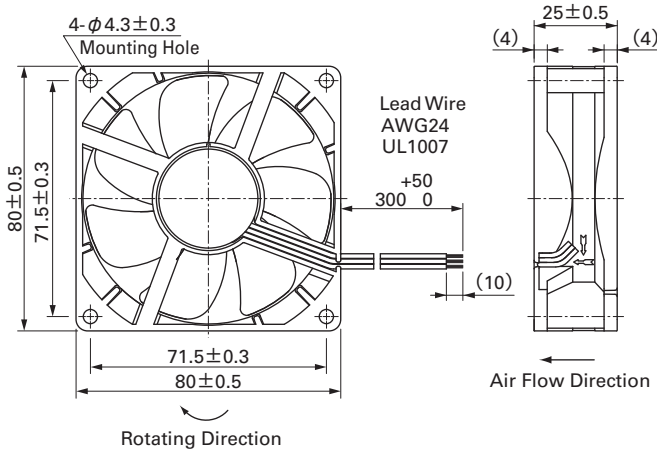
**S type**

**Specifications** The numbers in ( ) represent ribless models.

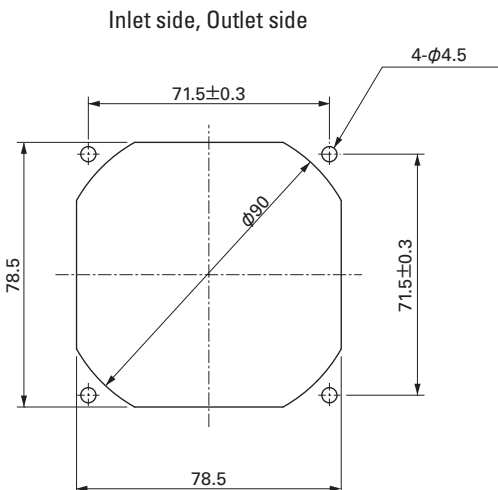
Model No.	Rated Voltage [V]	Operating Voltage Range [V]	Rated Current [A]	Rated Input [W]	Rated Speed [min <sup>-1</sup> ]	Max. Air Flow [m <sup>3</sup> /min] [CFM]	Max. Static Pressure [Pa] [inchH <sub>2</sub> O]	SPL [dB(A)]	Operating Temperature [°C]	Expected Life [h]
9S0812H401(4011)	12	5.0 to 13.2	0.23	2.76	3,400	1.12 39.5	52.15 0.20	31	-10 to +70	40,000
9S0812F401(4011)		5.0 to 13.8	0.11	1.32	2,800	0.93 32.8	35.5 0.143	24		
9S0812M401(4011)		6.0 to 13.8	0.08	0.96	2,500	0.83 29.3	27.5 0.110	22		
9S0812L401(4011)	24	10 to 26.4	0.06	1.44	2,500	0.83 29.3	27.5 0.110	22		
9S0824M401(4011)		0.04	0.96	2,000	0.66 23.3	18.1 0.073	16			
9S0824L401(4011)										

Without Sensor Pulse Sensor Available in all models. Lock Sensor PWM Control Please inquire as the availability of these functions depend on the model.

**Dimensions (Unit : mm)** (With ribs)



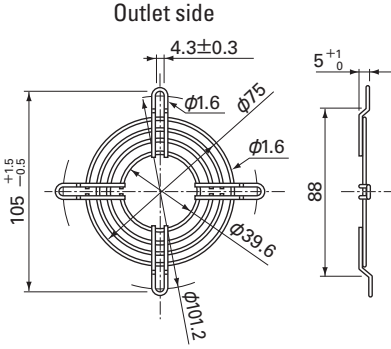
**Reference dimension of mounting holes and vent opening (Unit : mm)**



**Options (Unit : mm)**

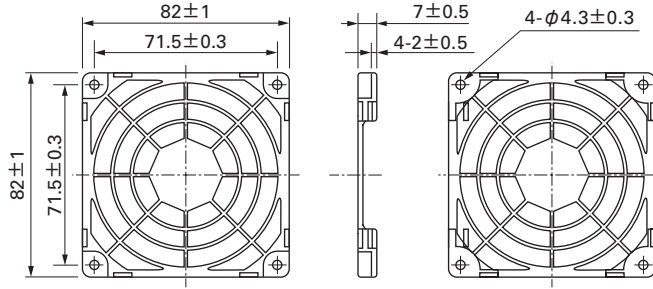
**Finger guards**

Model : 109-049C Surface treatment : Nickel-chrome plating (silver) Color (silver)



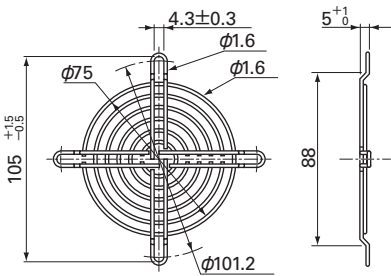
**Resin finger guards**

Model : 109-1002G



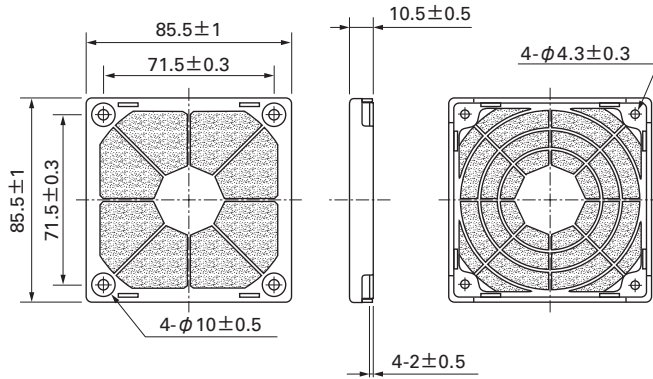
Model : 109-049E Surface treatment : Nickel-chrome plating (silver) Color (silver)  
: 109-049H : Cation electropainting (black)

**Inlet side, Outlet side**



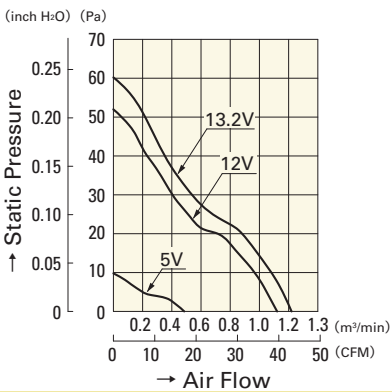
**Resin filter kits**

Model : 109-1002F13 (13PPI), 109-1002F20 (20PPI)  
: 109-1002F30 (30PPI), 109-1002F40 (40PPI)



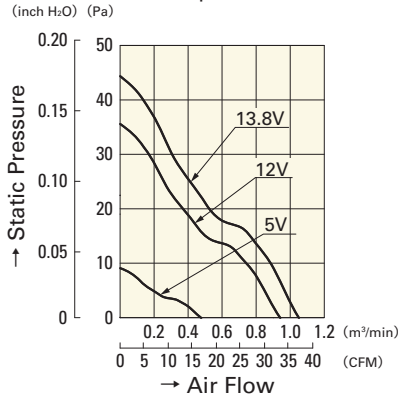
**Air Flow - Static Pressure Characteristics**

**H speed**



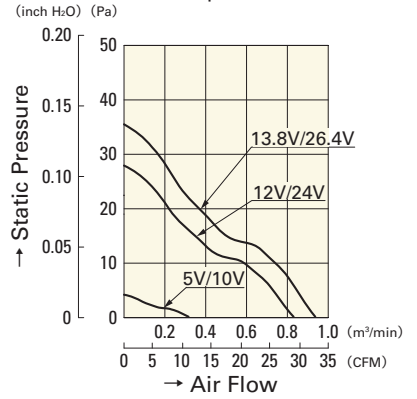
**9S0812H401(4011)**

**F speed**



**9S0812F401(4011)**

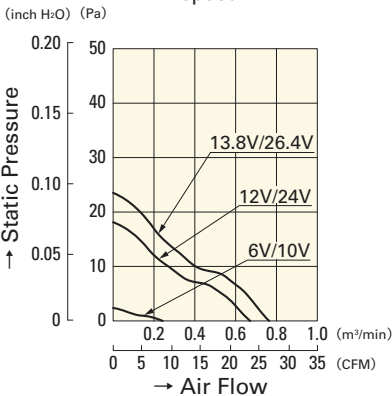
**M speed**



**9S0812M401(4011)**

**9S0824M401(4011)**

**L speed**



**9S0812L401(4011)**

**9S0824L401(4011)**