

**120**mm sq.

# San Ace 120

25mm thick (G type), 38mm thick (GV type)  
38mm thick (G type), 38mm thick (SG type)



**General Specifications** **With a pulse sensor** Specifications for pulse sensors ⇨ Refer to Page 297

**With PWM speed control function** ⇨ Refer to Page 299

- Material ..... Frame: Plastics (Flammability: UL94V-0),  
Impeller: Plastics (Flammability: UL94V-1)
- Expected Life ..... Varies for each model (L10: Survival rate: 90% at 60°C, rated voltage, and continuously run in a free air state)
- Lead Wire ..... ⊕ red ⊖ black (Sensor) yellow (Control) brown
- Storage Temperature ..... -30°C to +70°C (Non-condensing)

**120×120×38mm** (Mass : 360g)

**GV type**

**Specifications** The numbers in ( ) represent ribless models.

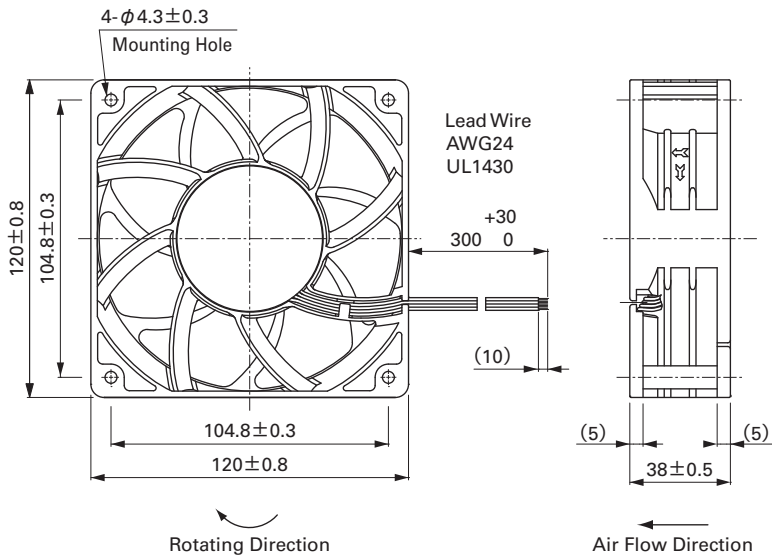
Model No.	Rated Voltage [V]	Operating Voltage Range [V]	PWM duty cycle※ [%]	Rated Current [A]	Rated Input [W]	Rated Speed [min <sup>-1</sup> ]	Max. Air Flow [m <sup>3</sup> /min] [CFM]	Max. Static Pressure [Pa] [inchH <sub>2</sub> O]	SPL [dB(A)]	Operating Temperature [°C]	Expected Life [h]
9GV1212P1J01(011)	12	10.2 to 13.8	100	3.00	36.00	6,400	6.35 224.0	360.0 1.45	64	-10 to +70	40,000
			0	0.19	2.28	1,500	1.49 52.6	19.8 0.08	33		
9GV1224P1J01(011) <sup>(Note)</sup>	24	20.4 to 27.6	100	1.5	36	6,400	6.35 224.3	360 1.44	64		
			100	0.8	19.2	5,200	5.37 189	263 1.05	58		
9GV1224P1H01(011) <sup>(Note)</sup>	24	20.4 to 27.6	100	0.75	36	6,400	6.35 224.0	360.0 1.45	64		
			0	0.06	2.88	1,500	1.49 52.6	26.1 0.106	33		

Note: Rated voltage 24V fans do not rotate when PWM duty cycle is 0%.

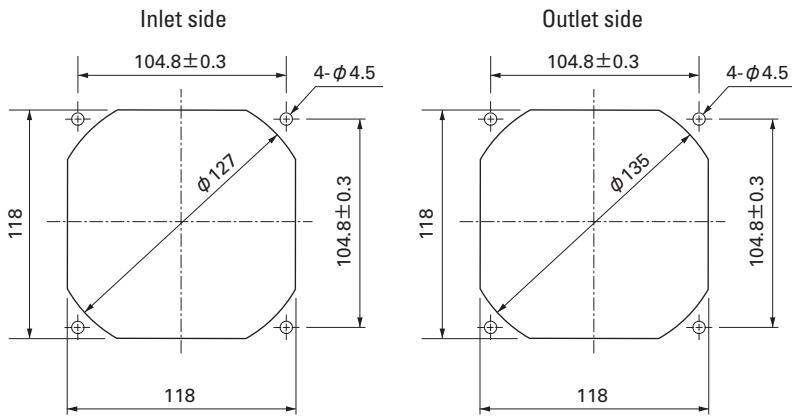
※PWM Frequency : 25kHz

**Without Sensor** **Pulse Sensor** **PWM Control** Available in all models.

**Dimensions (Unit : mm)** (With ribs)



Reference dimension of mounting holes and vent opening (Unit : mm)

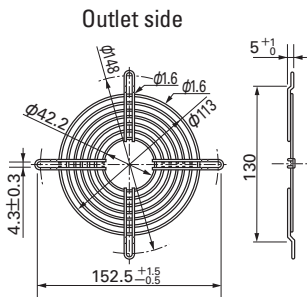


Options (Unit : mm)

Finger guards

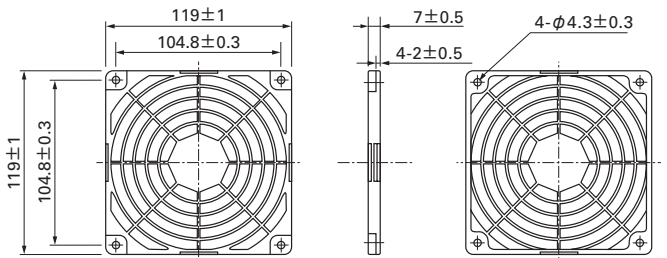
Model : 109-019C Surface treatment : Nickel-chrome plating (silver)  
 : 109-019H : Cation electropainting (black)

Color



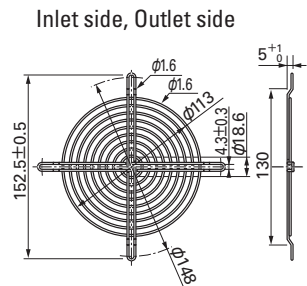
Resin finger guards

Model : 109-1000G



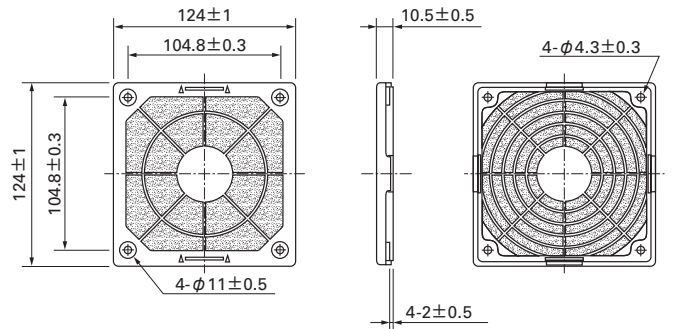
Model : 109-019E Surface treatment : Nickel-chrome plating (silver)  
 : 109-019K : Cation electropainting (black)

Color



Resin filter kits

Model : 109-1000F13 (13PPI), 109-1000F20 (20PPI)  
 : 109-1000F30 (30PPI), 109-1000F40 (40PPI)



120mm

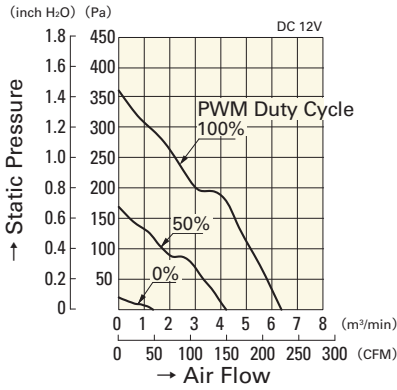
**120** mm sq.

# San Ace 120

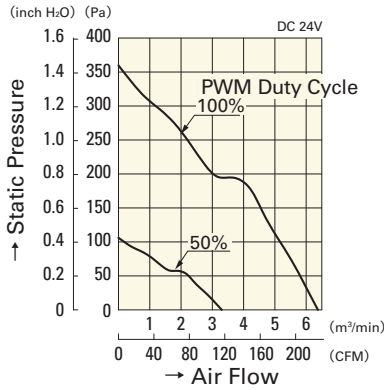
**120×120×38**mm [Mass : 360g]

## Air Flow - Static Pressure Characteristics

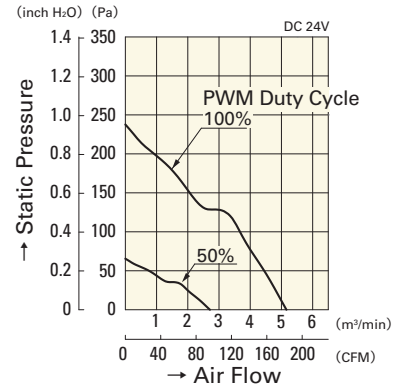
### PWM Duty Cycle



**9GV1212P1J01(011)**

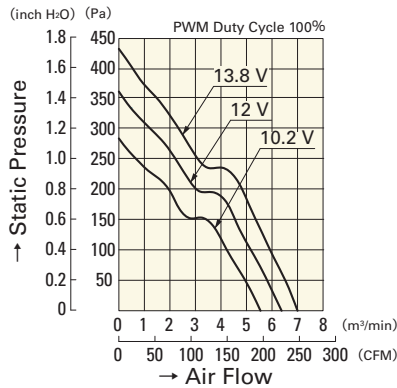


**9GV1224P1J01(011)**

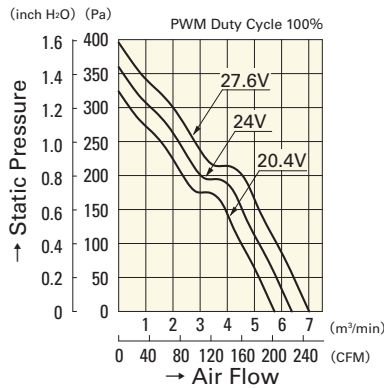


**9GV1224P1H01(011)**

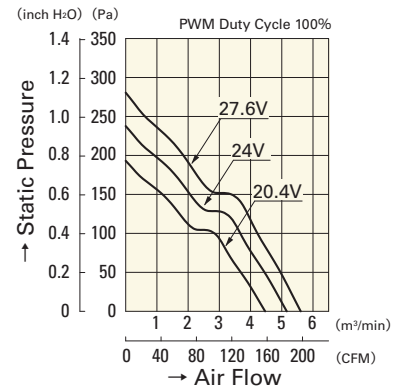
### Operating Voltage Range



**9GV1212P1J01(011)**

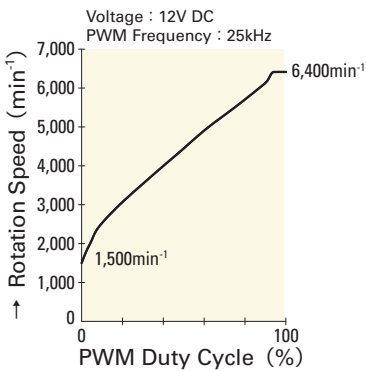


**9GV1224P1J01(011)**

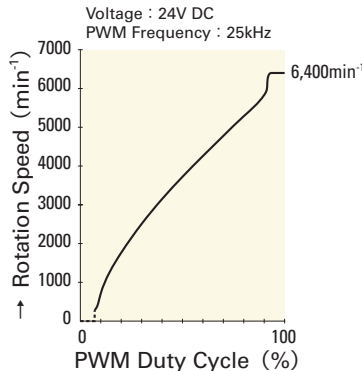


**9GV1224P1H01(011)**

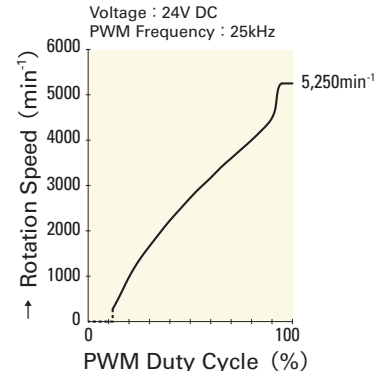
## PWM Duty - Speed Characteristics Example



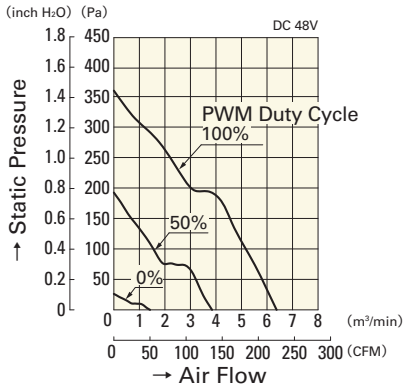
**9GV1212P1J01(011)**



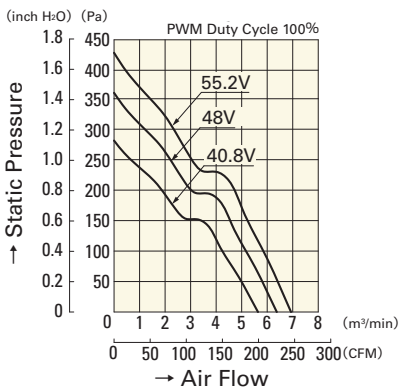
**9GV1224P1J01(011)**



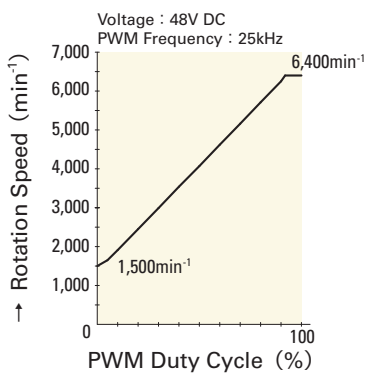
**9GV1224P1H01(011)**



**9GV1248P1J01(011)**



**9GV1248P1J01(011)**



**9GV1248P1J01(011)**