

80mm sq.

San Ace 80

15mm thick (GA type), 15mm thick, 20mm thick (GA type)
 20mm thick, **25mm thick (GA type)**, 25mm thick (S type)
 25mm thick (GV type), 25mm thick
 25mm thick (San Cooler), 32mm thick (GA type)
 32mm thick, 38mm thick (HV type), 38mm thick (GA type)
 38mm thick (GV type), 38mm thick (G type)



General Specifications

- Material Frame: Plastics (Flammability: UL94V-0),
 Impeller: Plastics (Flammability: UL94V-0)
- Expected Life Refer to specifications (L10: Survival rate: 90% at 60°C ,
 rated voltage, and continuously run in a free air state)
- Lead Wire ⊕red ⊖black (Sensor) yellow (Control) brown
- Storage Temperature -30°C to +70°C (Non-condensing)

80×80×25mm (Mass : 110g) **GA type** **Low Noise Low Power Consumption Fan**

Specifications

The following nos. **have PWM controls, pulse sensors, and ribs.** For ribs, append "1" to the model no.

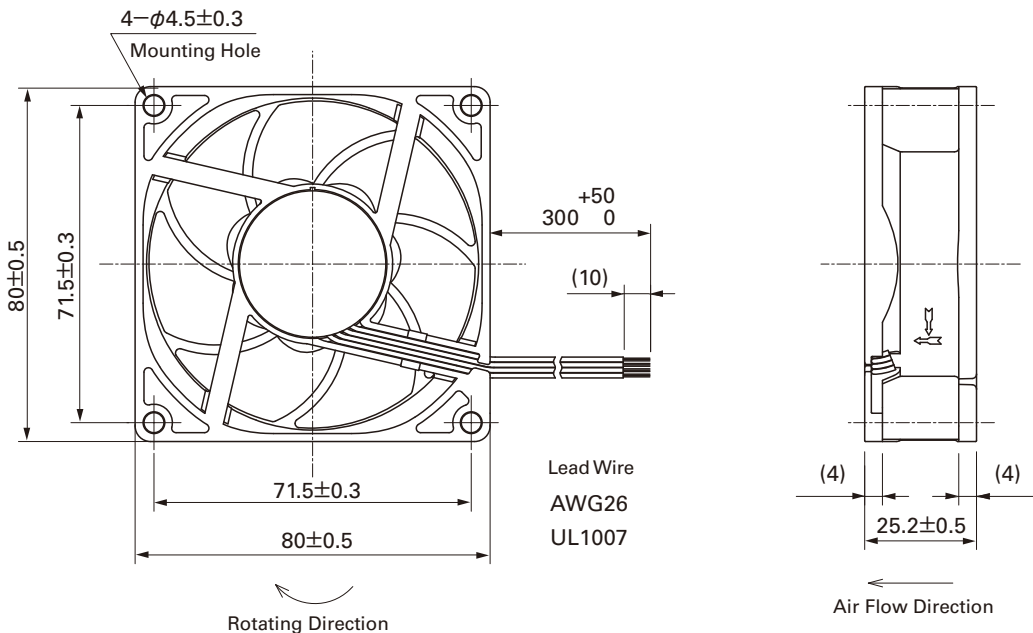
Model No.	Rated Voltage [V]	Operating Voltage Range [V]	PWM duty cycle* [%]	Rated Current [A]	Rated Input [W]	Rated Speed [min ⁻¹]	Max. Air Flow [m ³ /min] [CFM]	Max. Static Pressure [Pa] [inchH ₂ O]	SPL [dB(A)]	Operating Temperature [°C]	Expected Life ^{nom} [h]
9GA0812P4J001	12	10.8 to 13.2	100	0.6	7.2	7,400	2.07 73.0	177.6 0.7	48	-20 to +70	40,000/60°C (70,000/40°C)
			25	0.08	0.96	2,500	0.69 24.3	20.2 0.08	21		
9GA0812P4G001			100	0.48	5.76	6,800	1.91 67.4	150 0.6	45		
			25	0.06	0.72	1,500	0.42 14.8	7.2 0.02	17		
9GA0812P4H001			100	0.22	2.64	5,200	1.46 51.5	87.7 0.35	37		
			25	0.06	0.72	1,600	0.44 15.5	8.3 0.03	17		
9GA0824P4J001	24	21.6 to 26.4	100	0.28	6.72	7,400	2.07 73.0	177.6 0.7	48		
			25	0.06	1.44	2,800	0.78 27.5	25.4 0.1	23		
9GA0824P4G001			100	0.21	5.04	6,800	1.91 67.4	150 0.6	45		
			25	0.04	0.96	2,100	0.58 20.4	14.3 0.05	19		
9GA0824P4H001			100	0.1	2.4	5,200	1.46 51.5	87.7 0.35	37		
			25	0.02	0.48	1,500	0.42 14.8	7.2 0.02	17		

Note: Expected life at 40°C ambient is just reference value.

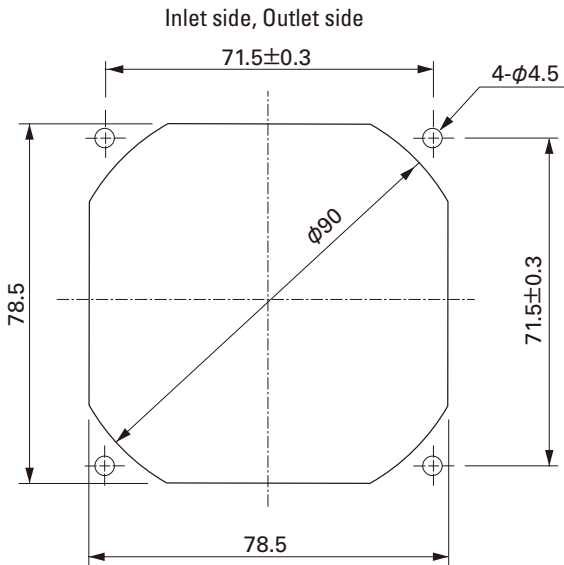
*PWM Frequency : 25kHz

- Available options: ⇒ **Without Sensor** **Pulse Sensor**
- Please inquire as the availability of these functions depend on the model. ⇒ **Lock Sensor**

Dimensions (Unit : mm) (With ribs)



Reference dimension of mounting holes and vent opening (Unit : mm)

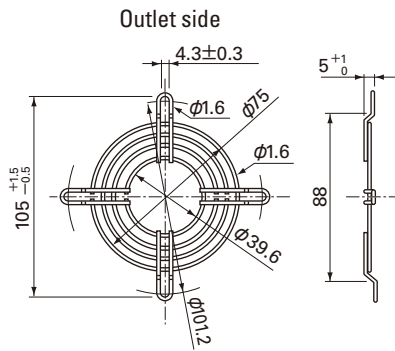


Options (Unit : mm)

Finger guards

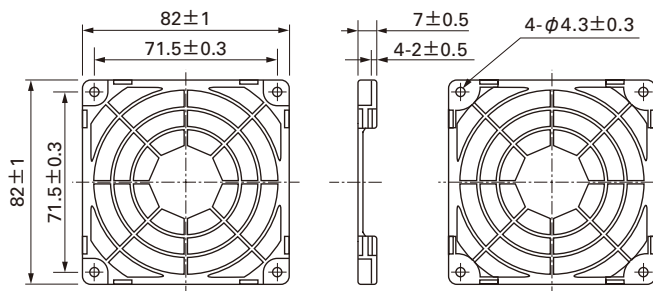
Model : 109-049C Surface treatment : Nickel-chrome plating (silver)

Color



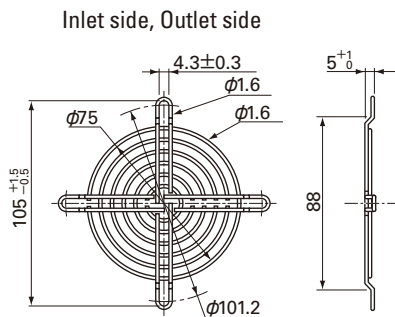
Resin finger guards

Model : 109-1002G



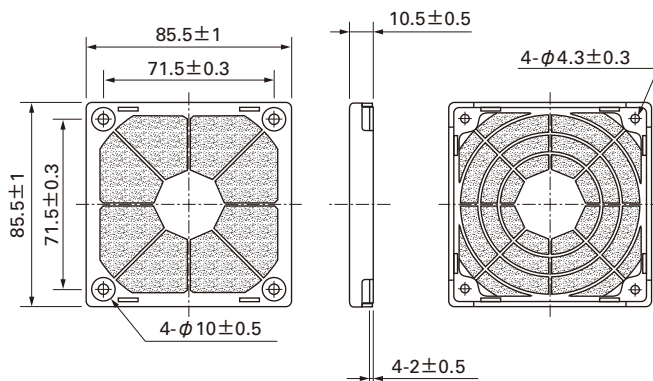
Model : 109-049E Surface treatment : Nickel-chrome plating (silver)
: 109-049H : Cation electropainting (black)

Color



Resin filter kits

Model : 109-1002F13 (13PPI), 109-1002F20 (20PPI)
: 109-1002F30 (30PPI), 109-1002F40 (40PPI)



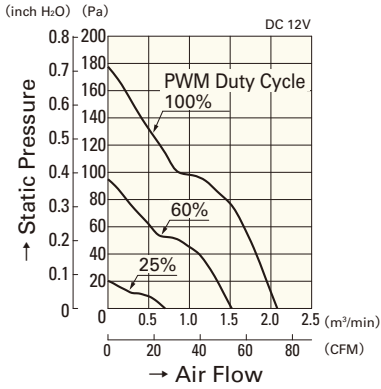
80 mm sq.

San Ace 80

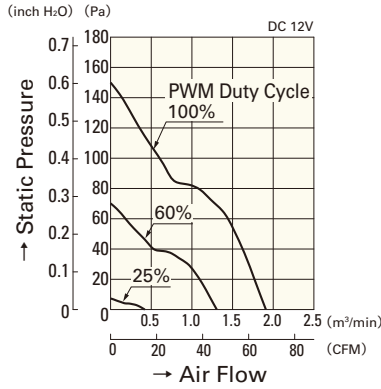
80×80×25mm [Mass : 110g]

Air Flow - Static Pressure Characteristics

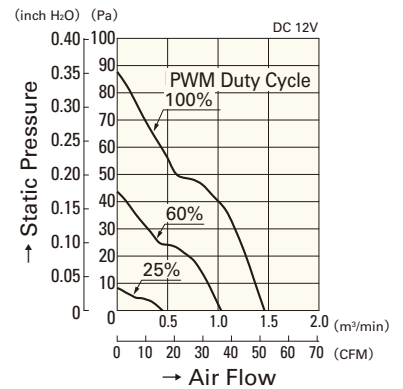
PWM Duty Cycle



9GA0812P4J001

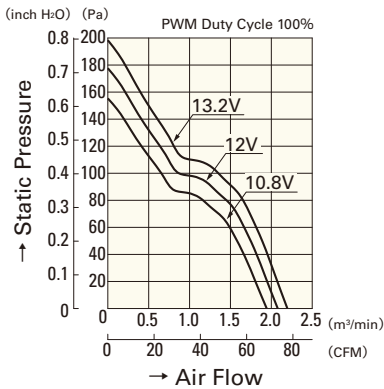


9GA0812P4G001

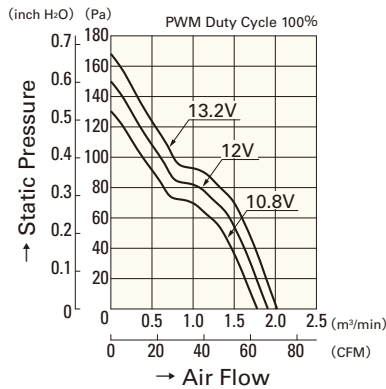


9GA0812P4H001

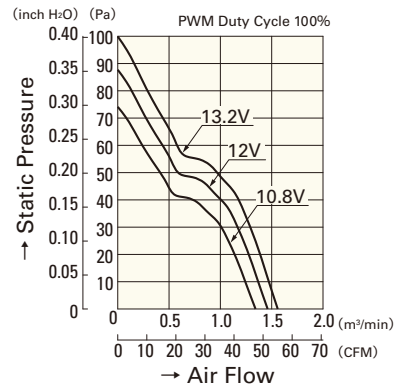
Operating Voltage Range



9GA0812P4J001

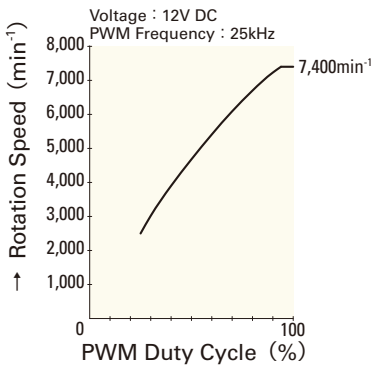


9GA0812P4G001

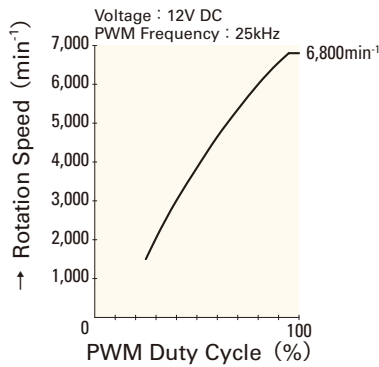


9GA0812P4H001

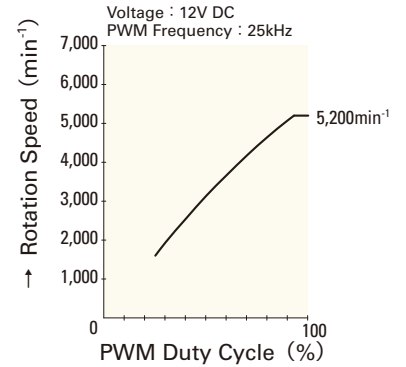
PWM Duty - Speed Characteristics Example



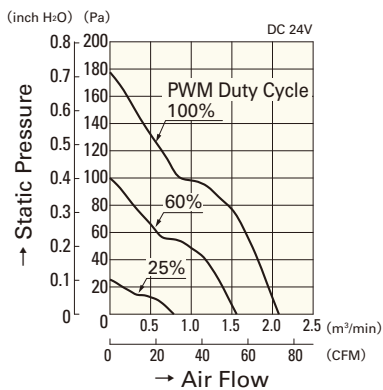
9GA0812P4J001



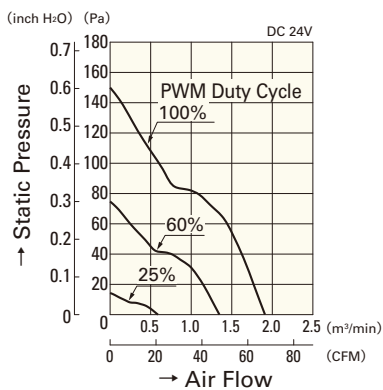
9GA0812P4G001



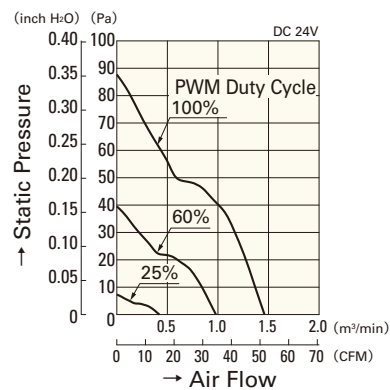
9GA0812P4H001



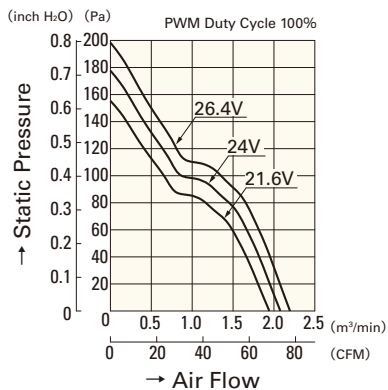
9GA0824P4J001



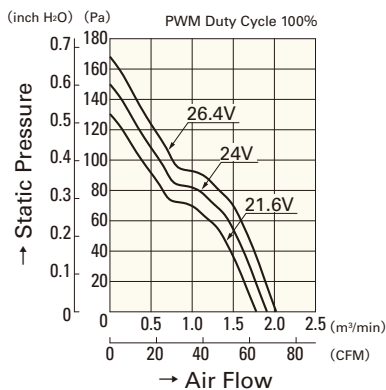
9GA0824P4G001



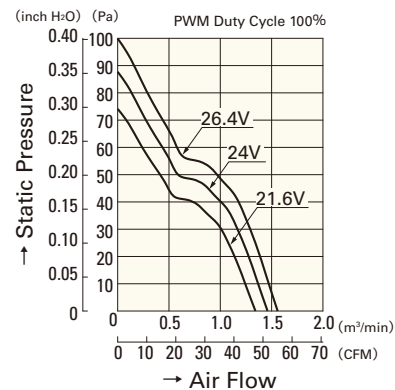
9GA0824P4H001



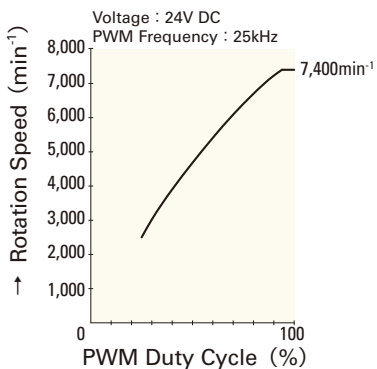
9GA0824P4J001



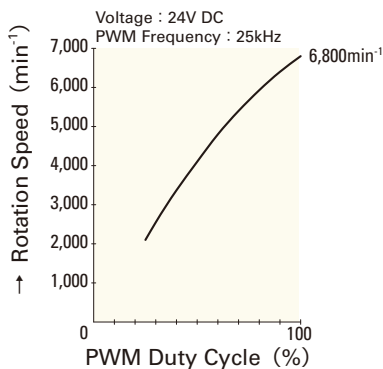
9GA0824P4G001



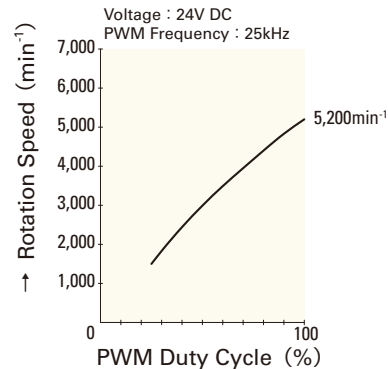
9GA0824P4H001



9GA0824P4J001



9GA0824P4G001



9GA0824P4H001