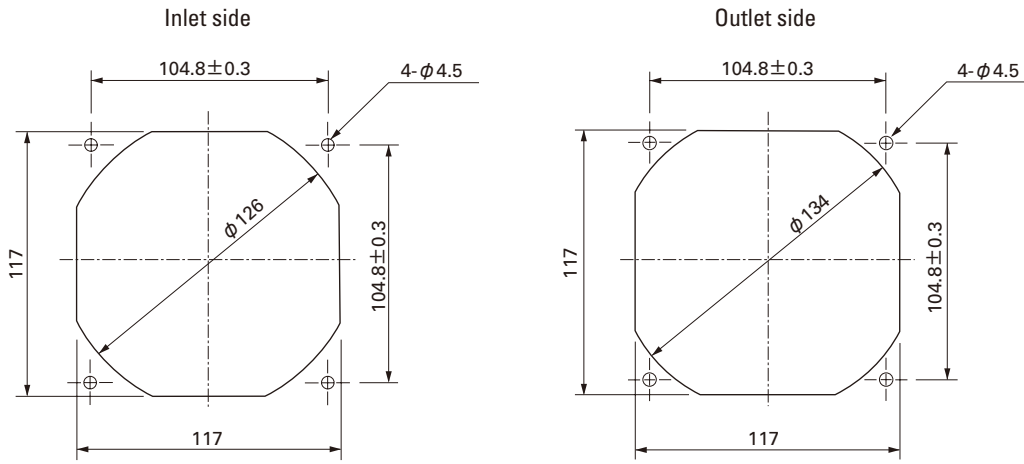


Reference dimension of mounting holes and vent opening (Unit : mm)

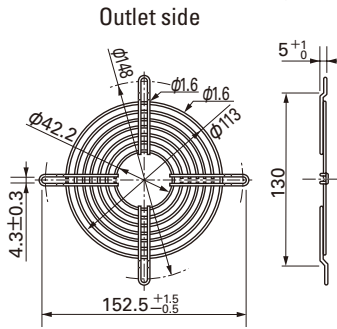


Options (Unit : mm)

Finger guards

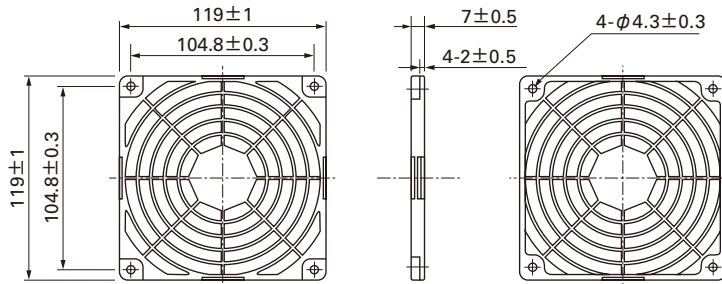
Model : 109-019C Surface treatment : Nickel-chrome plating (silver)
 : 109-019H : Cation electropainting (black)

Color



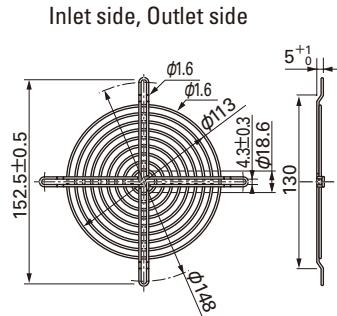
Resin finger guards

Model : 109-1000G



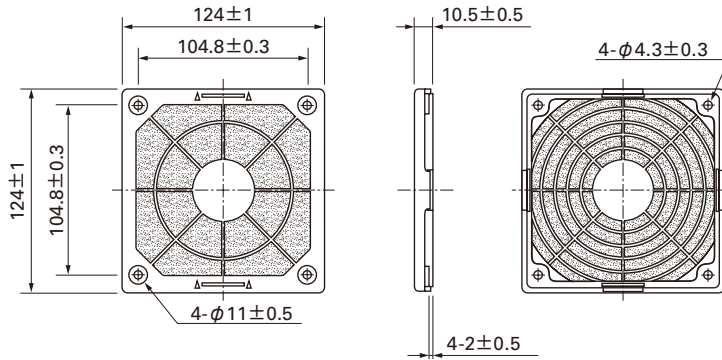
Model : 109-019E Surface treatment : Nickel-chrome plating (silver)
 : 109-019K : Cation electropainting (black)

Color



Resin filter kits

Model : 109-1000F13 (13PPI), 109-1000F20 (20PPI)
 : 109-1000F30 (30PPI), 109-1000F40 (40PPI)

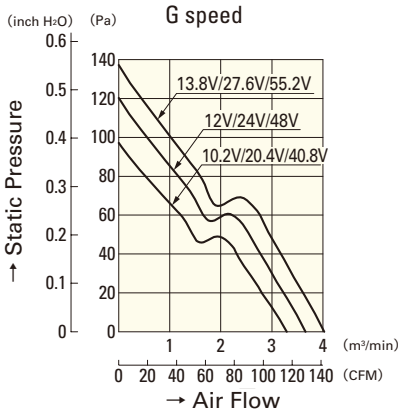


120mm sq.

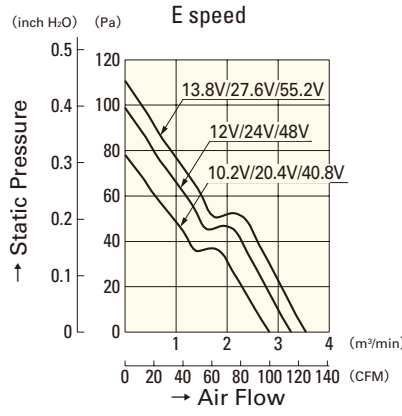
San Ace 120

120×120×25mm [Mass : 240g]

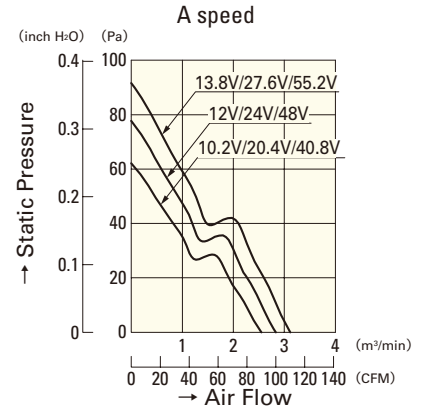
Air Flow - Static Pressure Characteristics



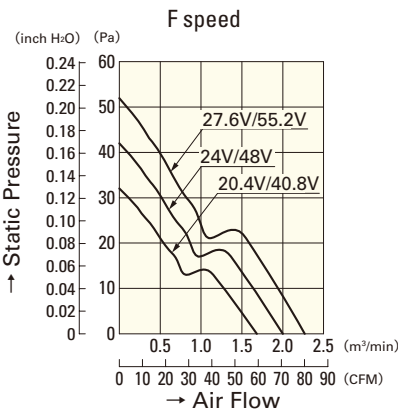
- 9G1212G401(4011)**
- 9G1224G401(4011)**
- 9G1248G401(4011)**



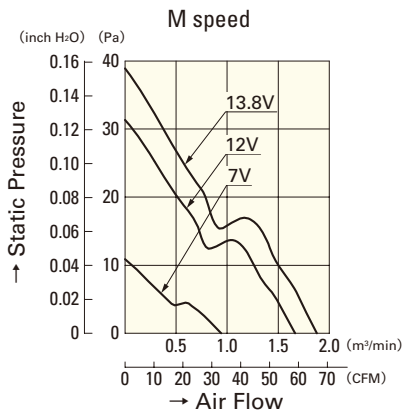
- 9G1212E401(4011)**
- 9G1224E401(4011)**
- 9G1248E401(4011)**



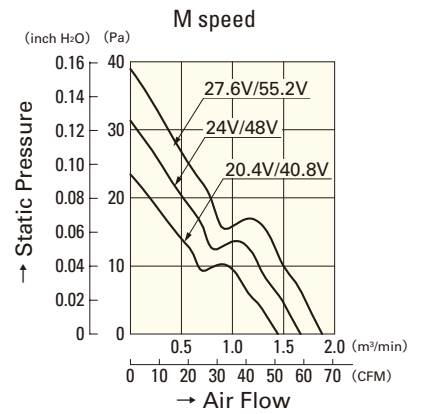
- 9G1212A401(4011)**
- 9G1224A401(4011)**
- 9G1248A401(4011)**



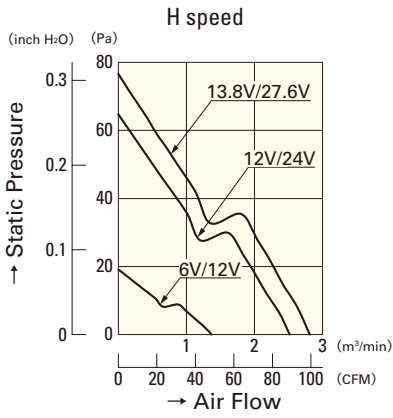
- 9G1224F401(4011)**
- 9G1248F401(4011)**



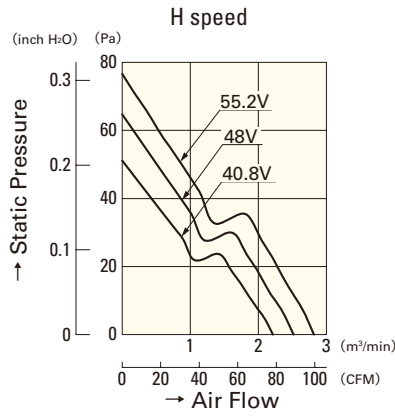
- 9G1212M401(4011)**



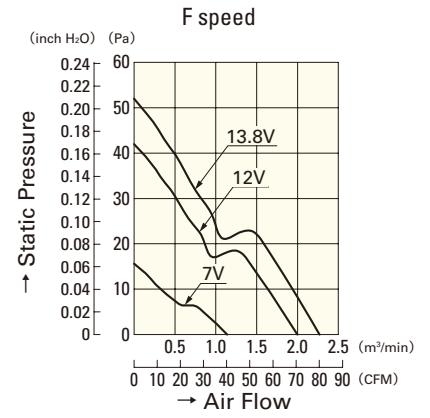
- 9G1224M401(4011)**
- 9G1248M401(4011)**



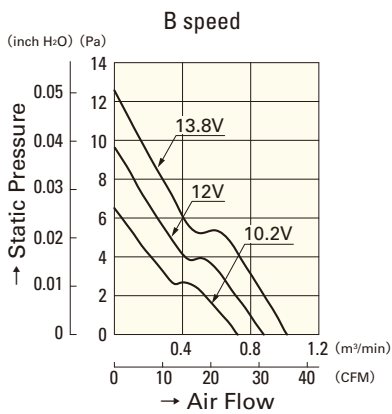
9G1212H401(4011)
9G1224H401(4011)



9G1248H401(4011)



9G1212F401(4011)



9G1212B401(4011)