

92mm sq.

San Ace 92

25mm thick, 25mm thick (San Cooler)
 32mm thick (G type), 38mm thick (GV type)
 38mm thick (G type)



General Specifications With a pulse sensor

- Material Frame: Plastics (Flammability: UL94V-0),
 Impeller: Plastics (Flammability: UL94V-1)
- Life Expectancy Varies for each model (L10: Survival rate: 90% at 60°C, rated voltage, and continuously run in a free air state)
- Lead Wire ⊕red ⊖black or blue (Sensor) yellow
- Storage Temperature -30°C to +70°C (Non-condensing)

92×92×32mm (Mass : 170g)

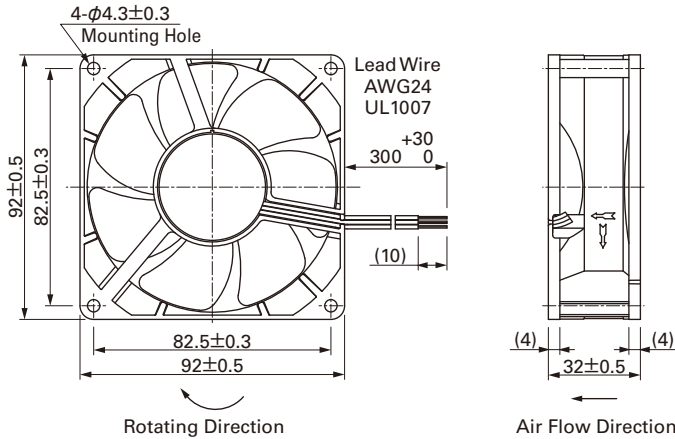
G type

Specifications The numbers in () represent ribless models.

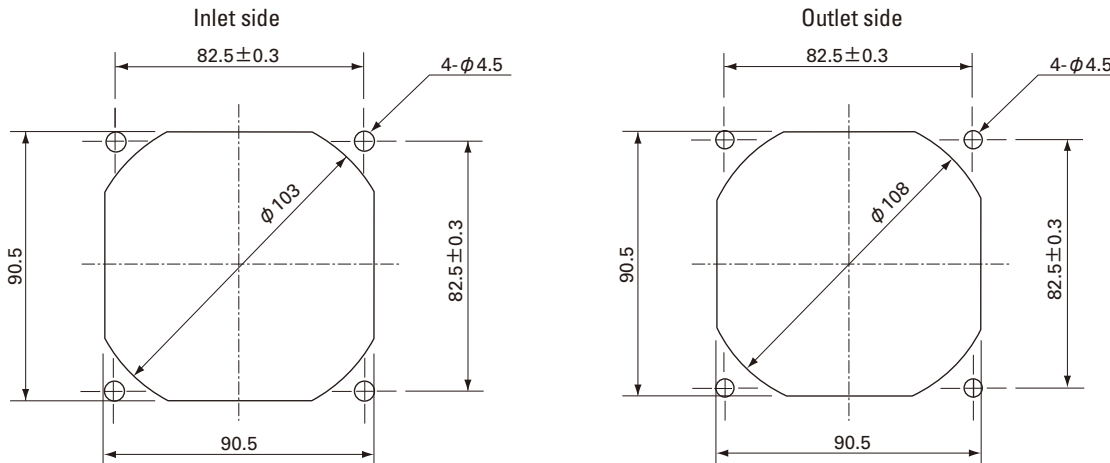
| Model No. | Rated Voltage [V] | Operating Voltage Range [V] | Rated Current [A] | Rated Input [W] | Rated Speed [min ⁻¹] | Air Flow [m ³ /min] [CFM] | Static Pressure [Pa] [inchH ₂ O] | SPL [dB(A)] | Operating Temperature [°C] | Life Expectancy [h] |
|------------------|-------------------|-----------------------------|-------------------|-----------------|----------------------------------|--------------------------------------|---------------------------------------------|-------------|----------------------------|---------------------|
| 9G0912A201(2011) | 12 | 10.2 to 13.8 | 0.58 | 6.96 | 4,300 | 2.50 88.3 | 115 0.462 | 44 | -10 to +70 | 40,000 |
| 9G0912S201(2011) | | | 0.38 | 4.56 | 3,500 | 2.00 70.7 | 77 0.309 | 38 | | |
| 9G0912H201(2011) | | | 0.23 | 2.76 | 2,850 | 1.59 56.2 | 51 0.205 | 32 | | |
| 9G0912M201(2011) | | | 0.13 | 1.56 | 2,100 | 1.20 42.4 | 27 0.108 | 25 | | |
| 9G0924A201(2011) | 24 | 20.4 to 27.6 | 0.30 | 7.20 | 4,300 | 2.50 88.3 | 115 0.462 | 44 | -10 to +60 | |
| 9G0924S201(2011) | | | 0.19 | 4.56 | 3,500 | 2.00 70.7 | 77 0.309 | 38 | | |
| 9G0924H201(2011) | | | 0.12 | 2.88 | 2,850 | 1.59 56.2 | 51 0.205 | 32 | | |
| 9G0924M201(2011) | | | 0.08 | 1.92 | 2,100 | 1.20 42.4 | 27 0.108 | 25 | | |
| 9G0948A201(2011) | 48 | 40.8 to 55.2 | 0.16 | 7.68 | 4,300 | 2.50 88.3 | 115 0.462 | 44 | -10 to +70 | |
| 9G0948S201(2011) | | | 0.11 | 5.28 | 3,500 | 2.00 70.7 | 77 0.309 | 38 | | |
| 9G0948H201(2011) | | | 0.08 | 3.84 | 2,850 | 1.59 56.2 | 51 0.205 | 32 | | |
| 9G0948M201(2011) | | | 0.05 | 2.40 | 2,100 | 1.20 42.4 | 27 0.108 | 25 | | |

Without Sensor **Pulse Sensor** Available in all models. **Lock Sensor** **Low speed Sensor** **PWM Control** Please inquire as the availability of these functions depend on the model.

Dimensions (Unit : mm) (With ribs)



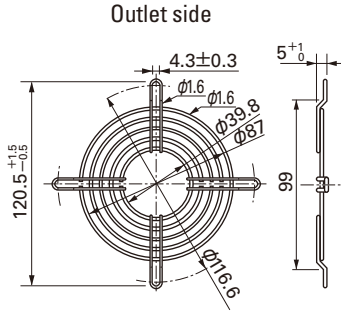
Reference dimension of mounting holes and vent opening (Unit : mm)



Options (Unit : mm)

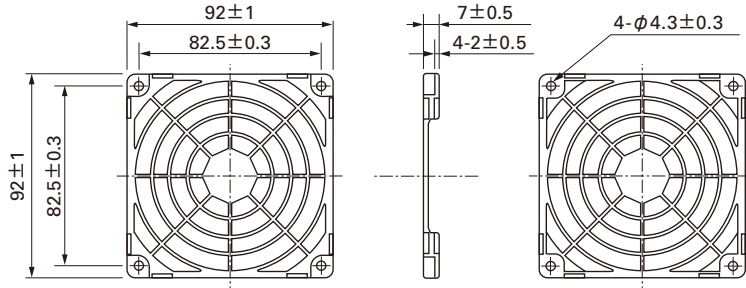
Finger guards

Model : 109-099C Color : Nickel-chrome plating (silver)



Resin finger guards

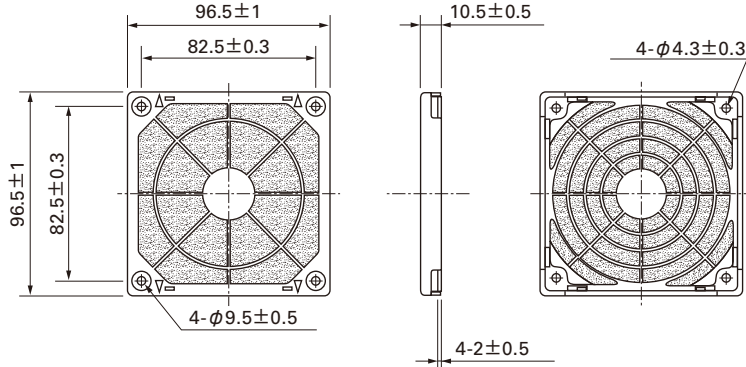
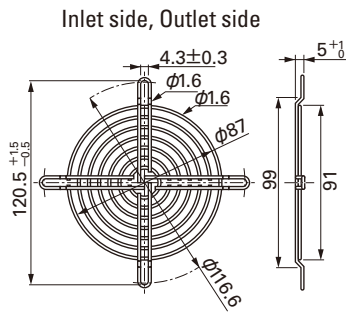
Model : 109-1001G



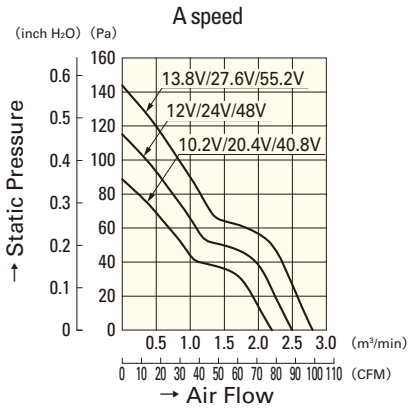
Model : 109-099E Surface treatment : Nickel-chrome plating (silver)
: 109-099H : Cation electropainting (black)

Resin filter kits

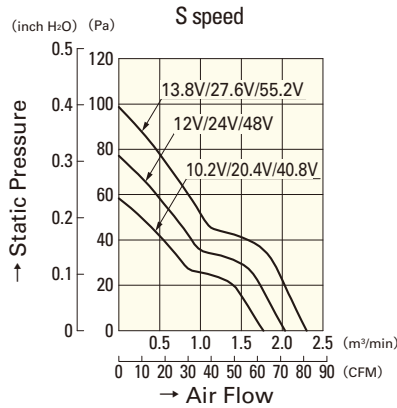
Model : 109-1001F13 (13PPI), 109-1001F20 (20PPI)
: 109-1001F30 (30PPI), 109-1001F40 (40PPI)



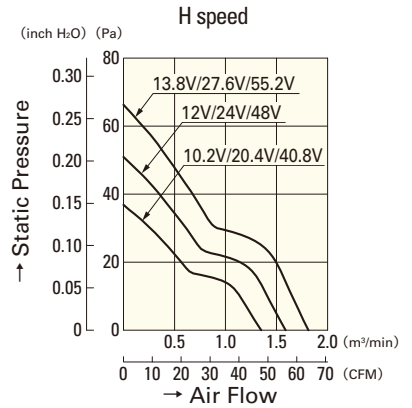
Air Flow and Static Pressure Characteristics



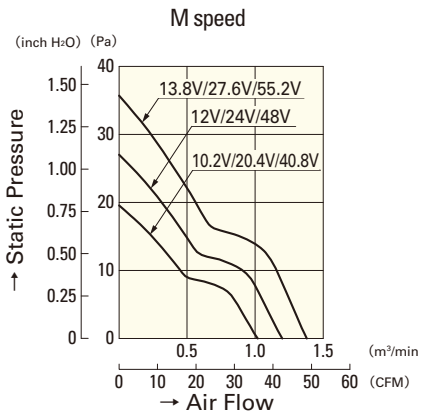
- 9G0912A201(2011)
- 9G0924A201(2011)
- 9G0948A201(2011)



- 9G0912S201(2011)
- 9G0924S201(2011)
- 9G0948S201(2011)



- 9G0912H201(2011)
- 9G0924H201(2011)
- 9G0948H201(2011)



- 9G0912M201(2011)
- 9G0924M201(2011)
- 9G0948M201(2011)