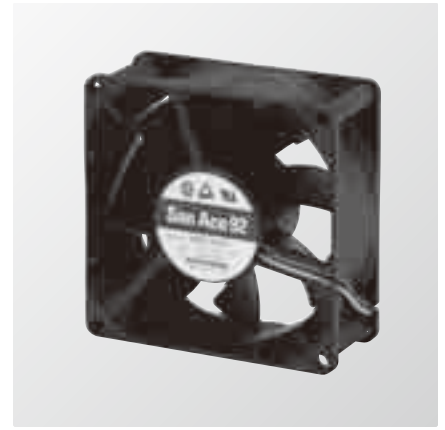


92mm sq.

San Ace 92

25mm thick, 25mm thick (San Cooler)
 32mm thick (G type), 38mm thick (GV type)
38mm thick (G type)



General Specifications With a pulse sensor

- Material Frame: Plastics (Flammability: UL94V-0),
 Impeller: Plastics (Flammability: UL94V-0)
- Life Expectancy Varies for each model (L10: Survival rate: 90% at 60°C, rated voltage, and continuously run in a free air state)
- Lead Wire ⊕red ⊖black (Sensor) yellow
- Storage Temperature -30°C to +70°C (Non-condensing)

92×92×38mm (Mass : 180g)

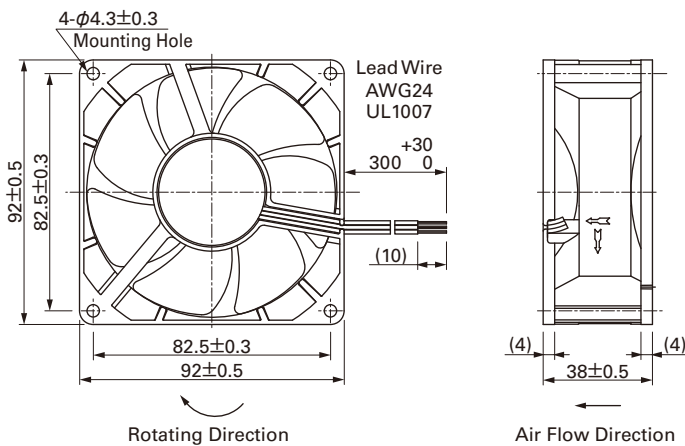


Specifications The numbers in () represent ribless models.

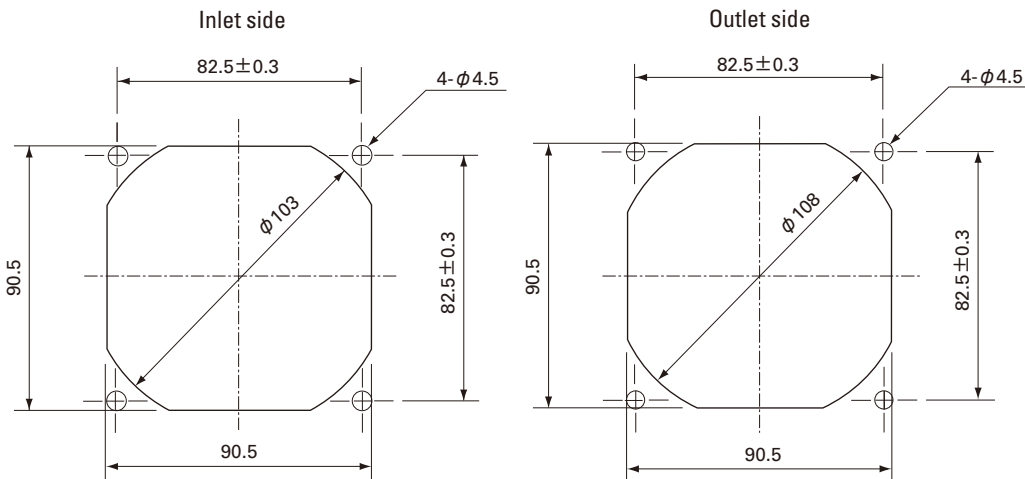
Model No.	Rated Voltage [V]	Operating Voltage Range [V]	Rated Current [A]	Rated Input [W]	Rated Speed [min ⁻¹]	Air Flow		Static Pressure		SPL [dB(A)]	Operating Temperature [°C]	Life Expectancy [h]
						[m ³ /min]	[CFM]	[Pa]	[inchH ₂ O]			
9G0912G101(1011)	12	7.0 to 13.8	1.1	13.2	5,000	3.10	110	150	0.602	50	- 10 to +60	40,000
9G0912H101(1011)			0.58	6.96	4,000	2.54	90	100	0.402	43		
9G0924G101(1011)	24	20.4 to 27.6	0.55	13.2	5,000	3.10	110	150	0.602	50		
9G0924H101(1011)			0.3	7.2	4,000	2.54	90	100	0.402	43		
9G0948G101(1011)	48	40.8 to 55.2	0.27	12.96	5,000	3.10	110	150	0.602	50		
9G0948H101(1011)			0.16	7.68	4,000	2.54	90	100	0.402	43		

Without Sensor Pulse Sensor Available in all models. Lock Sensor Low speed Sensor PWM Control Please inquire as the availability of these functions depend on the model.

Dimensions (Unit : mm) (With ribs)



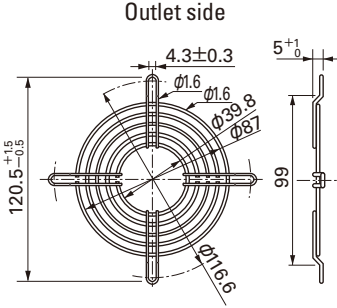
Reference dimension of mounting holes and vent opening (Unit : mm)



Options (Unit : mm)

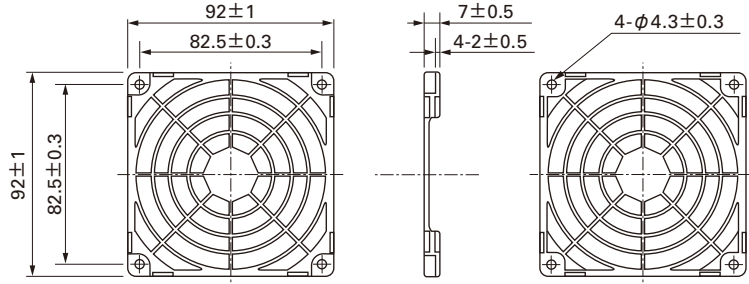
Finger guards

Model : 109-099C Surface treatment : Nickel-chrome plating (silver) Color : silver



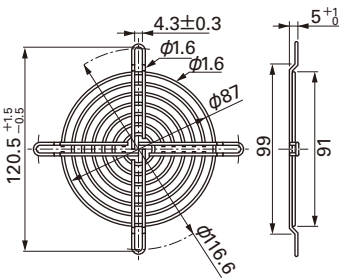
Resin finger guards

Model : 109-1001G



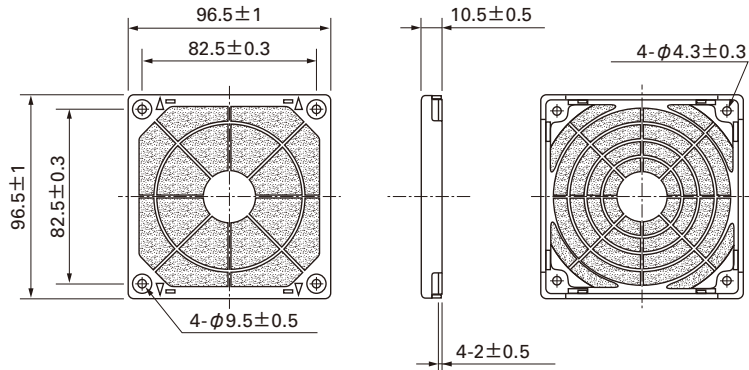
Model : 109-099E Surface treatment : Nickel-chrome plating (silver) Color : silver
: 109-099H Surface treatment : Cation electropainting (black) Color : black

Inlet side, Outlet side

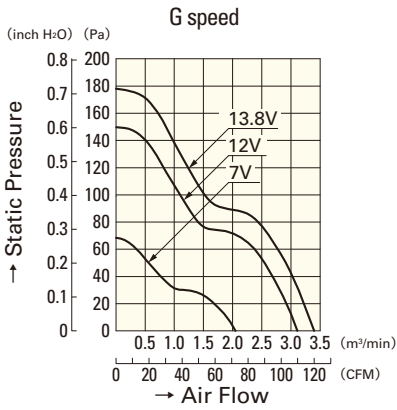


Resin filter kits

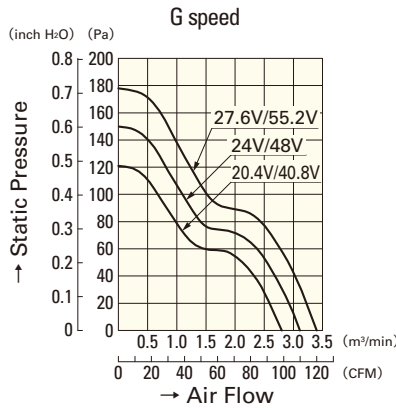
Model : 109-1001F13 (13PPI), 109-1001F20 (20PPI) : 109-1001F30 (30PPI), 109-1001F40 (40PPI)



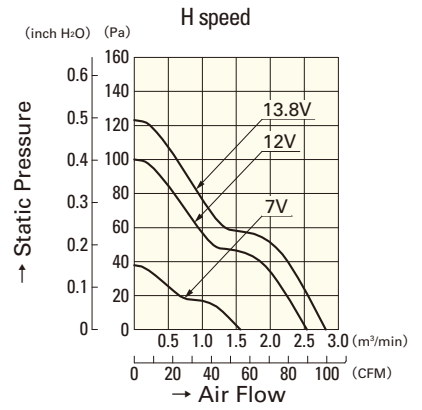
Air Flow and Static Pressure Characteristics



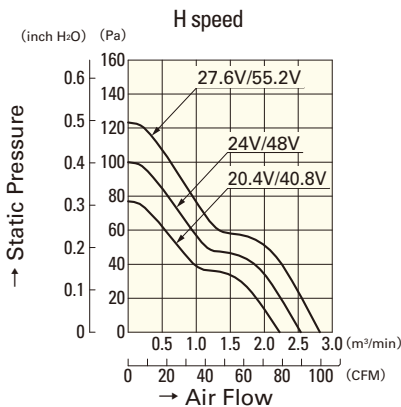
9G0912G101(1011)



9G0924G101(1011)
9G0948G101(1011)



9G0912H101(1011)



9G0924H101(1011)
9G0948H101(1011)