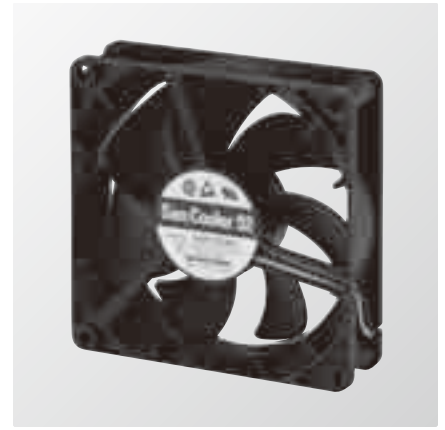


92mm sq.

San Ace 92

25mm thick, 25mm thick (San Cooler)
 32mm thick (G type), 38mm thick (GV type)
 38mm thick (G type)



General Specifications With a pulse sensor

- Material Frame: Plastics (Flammability: UL94V-0),
 Impeller: Plastics (Flammability: UL94V-0)
- Life Expectancy Varies for each model (L10: Survival rate: 90% at 60°C,
 rated voltage, and continuously run in a free air state)
- Lead Wire ⊕red ⊖black or blue (Sensor) yellow
- Storage Temperature -30°C to +70°C (Non-condensing)

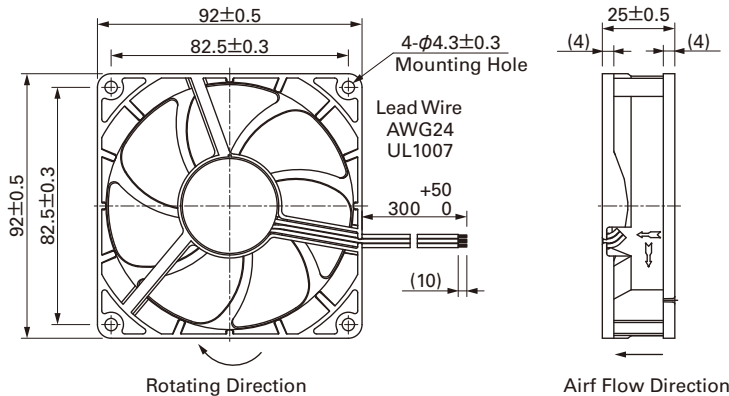
92×92×25mm (Mass : 100g) **San Cooler**

Specifications The numbers in () represent ribless models.

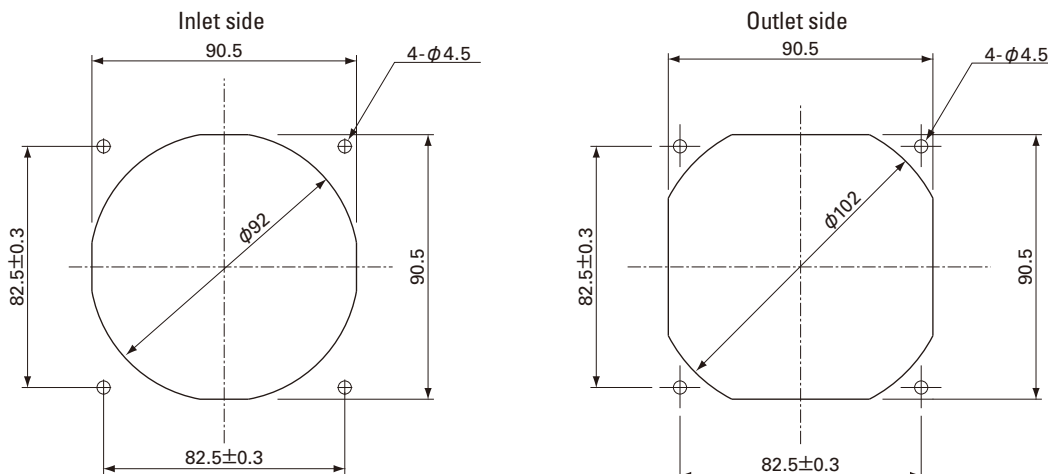
Model No.	Rated Voltage [V]	Operating Voltage Range [V]	Rated Current [A]	Rated Input [W]	Rated Speed [min ⁻¹]	Air Flow [m ³ /min] [CFM]	Static Pressure [Pa] [inchH ₂ O]	SPL [dB(A)]	Operating Temperature [°C]	Life Expectancy [h]	
9A0912G401(4011)	12	6 to 13.8	0.39	4.68	3,900	1.76 62.1	66.5 0.267	43	-10 to +60	30,000	
9A0912S401(4011)			0.27	3.24	3,550	1.66 58.6	56.1 0.225	39			
9A0912H401(4011)			0.21	2.52	3,150	1.45 51.2	44 0.177	33			
9A0912F401(4011)			7 to 13.8	0.14	1.68	2,650	1.24 43.8	32.2 0.129	30	-10 to +70	40,000
9A0912M401(4011)				0.12	1.44	2,250	1.04 36.7	22.6 0.091	27		
9A0912L401(4011)				0.07	0.84	1,750	0.8 28.2	13.4 0.054	23		
9A0924G401(4011)	24	12 to 27.6	0.19	4.56	3,900	1.76 62.1	66.5 0.267	43	-10 to +60	30,000	
9A0924S401(4011)			0.15	3.6	3,550	1.66 58.6	56.1 0.225	39			
9A0924H401(4011)			0.1	2.4	3,150	1.45 51.2	44 0.177	33			
9A0924F401(4011)			14 to 27.6	0.08	1.92	2,650	1.24 43.8	32.2 0.129	30	-10 to +70	40,000
9A0924M401(4011)				0.05	1.2	2,250	1.04 36.7	22.6 0.091	27		
9A0924L401(4011)				0.04	0.96	1,750	0.8 28.2	13.4 0.054	23		

Without Sensor **Pulse Sensor** Available in all models. **Lock Sensor** Please inquire as the availability of these functions depend on the model.

Dimensions (Unit : mm) (With ribs)



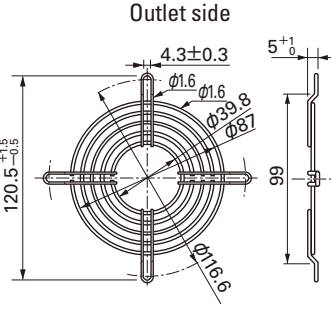
Reference dimension of mounting holes and vent opening (Unit : mm)



Options (Unit : mm)

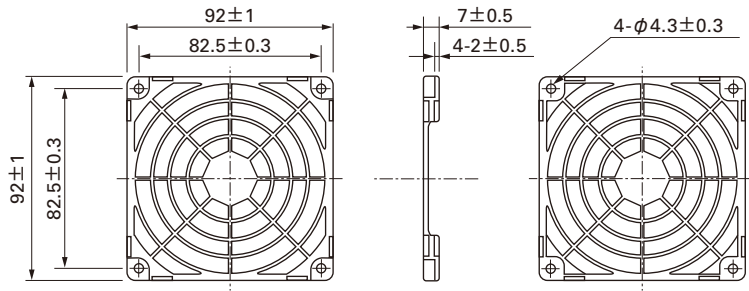
Finger guards

Model : 109-099C Surface treatment : Nickel-chrome plating (silver) Color : Nickel-chrome plating (silver)



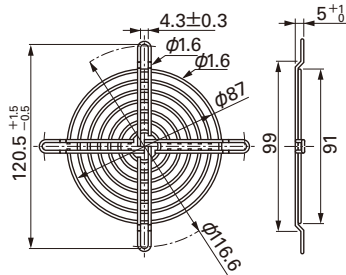
Resin finger guards

Model : 109-1001G



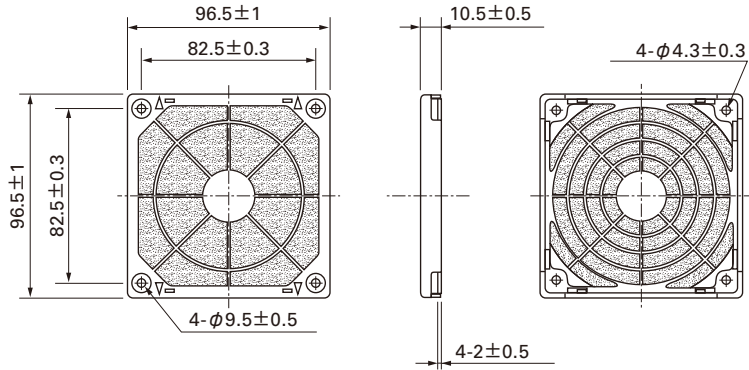
Model : 109-099E Surface treatment : Nickel-chrome plating (silver) Color : Nickel-chrome plating (silver)
: 109-099H : Cation electropainting (black)

Inlet side, Outlet side

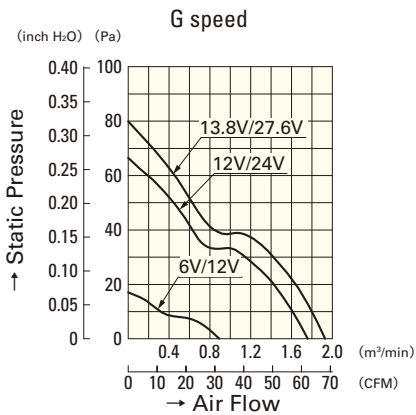


Resin filter kits

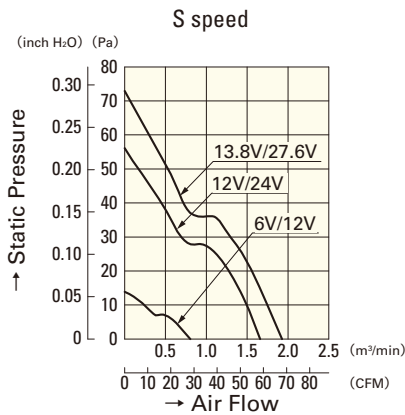
Model : 109-1001F13 (13PPI), 109-1001F20 (20PPI)
: 109-1001F30 (30PPI), 109-1001F40 (40PPI)



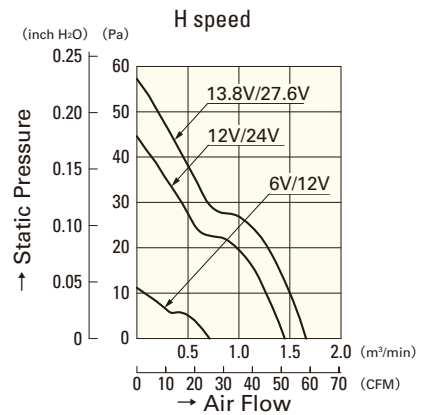
Air Flow and Static Pressure Characteristics



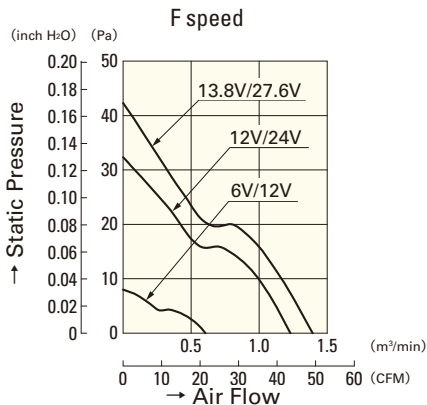
9A0912G401(4011)
9A0924G401(4011)



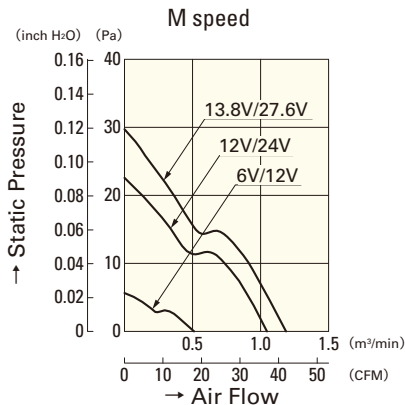
9A0912S401(4011)
9A0924S401(4011)



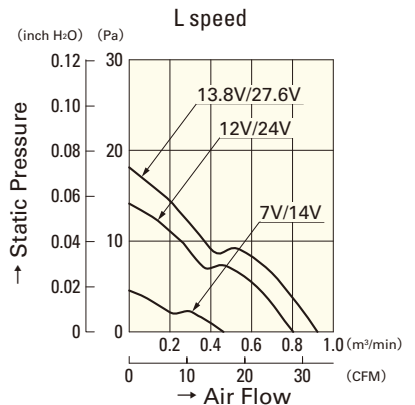
9A0912H401(4011)
9A0924H401(4011)



9A0912F401(4011)
9A0924F401(4011)



9A0912M401(4011)
9A0924M401(4011)



9A0912L401(4011)
9A0924L401(4011)