

80mm sq.

San Ace 80

15mm thick, 20mm thick, 25mm thick
25mm thick (San Cooler), 32mm thick
 38mm thick (GV type), 38mm thick (G type)



General Specifications With a pulse sensor

- Material Frame: Plastics (Flammability: UL94V-0),
 Impeller: Plastics (Flammability: UL94V-0)
- Life Expectancy Varies for each model (L10: Survival rate: 90% at 60°C,
 rated voltage, and continuously run in a free air state)
- Lead Wire ⊕red ⊖black or blue (Sensor) yellow
- Storage Temperature -30°C to +70°C (Non-condensing)

80×80×25mm (Mass : 90g)

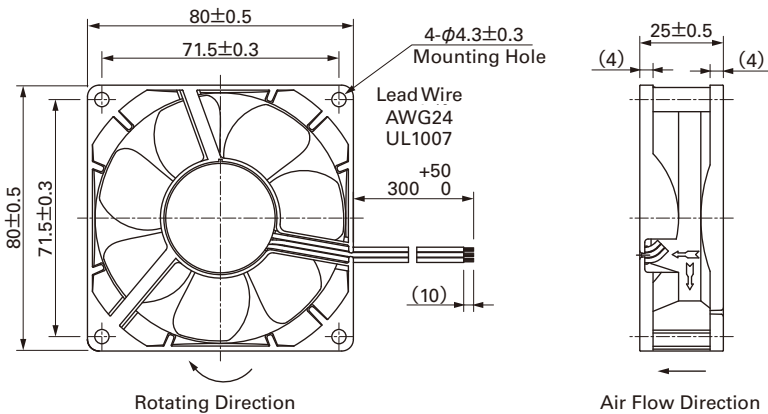
San Cooler

Specifications The numbers in () represent ribless models.

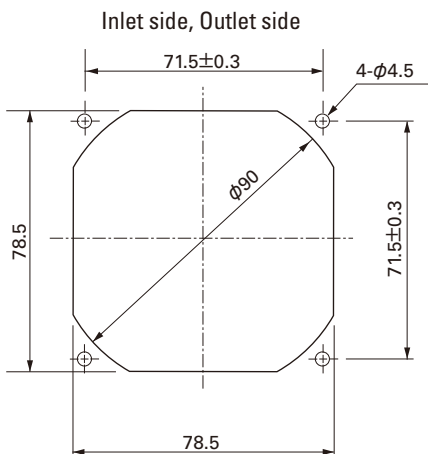
| Model No. | Rated Voltage [V] | Operating Voltage Range [V] | Rated Current [A] | Rated Input [W] | Rated Speed [min ⁻¹] | Air Flow [m ³ /min] [CFM] | Static Pressure [Pa] [inchH ₂ O] | SPL [dB(A)] | Operating Temperature [°C] | Life Expectancy [h] | | | |
|------------------|-------------------|-----------------------------|-------------------|-----------------|----------------------------------|--------------------------------------|---|-------------|----------------------------|---------------------|------------|--------|--------|
| 9A0812G401(4011) | 12 | 6 to 13.2 | 0.38 | 4.56 | 4,500 | 1.5 | 53.0 | 80.3 | 0.323 | 40 | -10 to +60 | 30,000 | |
| 9A0812S401(4011) | | | 0.18 | 2.16 | 3,400 | 1.2 | 42.4 | 48 | 0.193 | 34 | | | |
| 9A0812H401(4011) | | 6 to 13.8 | 0.13 | 1.56 | 2,900 | 1.03 | 36.4 | 35.3 | 0.142 | 29 | -10 to +70 | | 40,000 |
| 9A0812F401(4011) | | | 0.11 | 1.32 | 2,600 | 0.92 | 32.5 | 28.4 | 0.114 | 26 | | | |
| 9A0812M401(4011) | | | 0.09 | 1.08 | 2,350 | 0.83 | 29.3 | 22.5 | 0.090 | 23 | | | |
| 9A0812L401(4011) | | | 0.06 | 0.72 | 1,850 | 0.65 | 23.0 | 14.7 | 0.059 | 20 | | | |
| 9A0824G401(4011) | 24 | 12 to 26.4 | 0.21 | 5.04 | 4,500 | 1.5 | 53.0 | 80.3 | 0.323 | 40 | -10 to +60 | 30,000 | |
| 9A0824S401(4011) | | 12 to 27.6 | 0.1 | 2.4 | 3,400 | 1.2 | 42.4 | 48 | 0.193 | 34 | -10 to +70 | 40,000 | |
| 9A0824H401(4011) | | | 0.07 | 1.68 | 2,900 | 1.03 | 36.4 | 35.3 | 0.142 | 29 | | | |
| 9A0824F401(4011) | | | 0.06 | 1.44 | 2,600 | 0.92 | 32.5 | 28.4 | 0.114 | 26 | | | |
| 9A0824M401(4011) | | | 0.05 | 1.2 | 2,350 | 0.83 | 29.3 | 22.5 | 0.090 | 23 | | | |
| 9A0824L401(4011) | | 14 to 27.6 | 0.04 | 0.96 | 1,850 | 0.65 | 23.0 | 14.7 | 0.059 | 20 | | | |

Without Sensor **Pulse Sensor** Available in all models. **Lock Sensor** **PWM Control** Please inquire as the availability of these functions depend on the model.

Dimensions (Unit : mm) (With ribs)



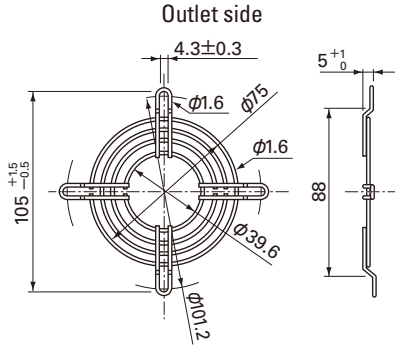
Reference dimension of mounting holes and vent opening (Unit : mm)



Options (Unit : mm)

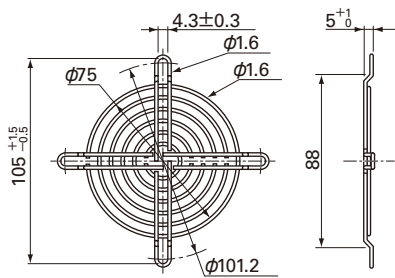
Finger guards

Model : 109-049C Surface treatment : Nickel-chrome plating (silver) Color : Nickel-chrome plating (silver)



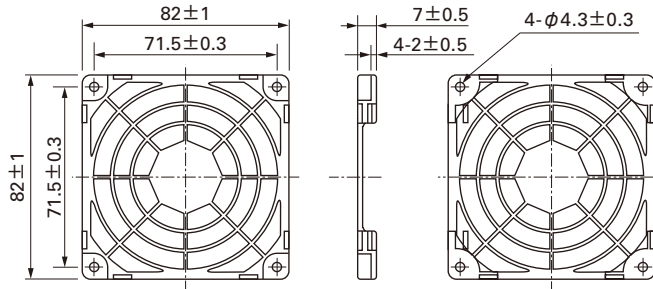
Model : 109-049E Surface treatment : Nickel-chrome plating (silver) Color : Nickel-chrome plating (silver)
 : 109-049H Surface treatment : Cation electropainting (black) Color : Cation electropainting (black)

Inlet side, Outlet side



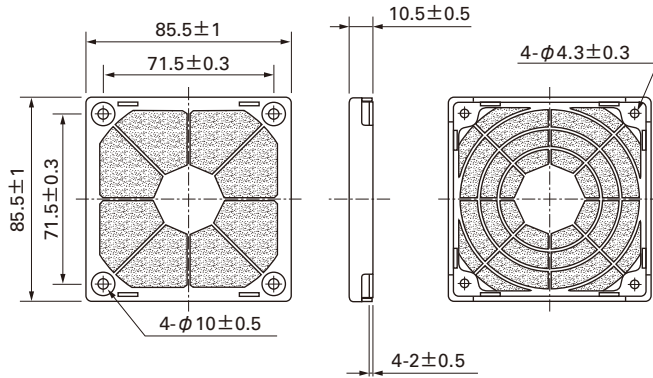
Resin finger guards

Model : 109-1002G

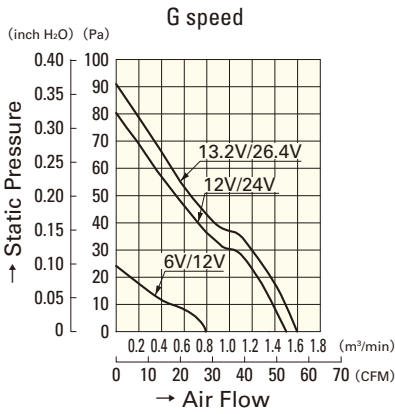


Resin filter kits

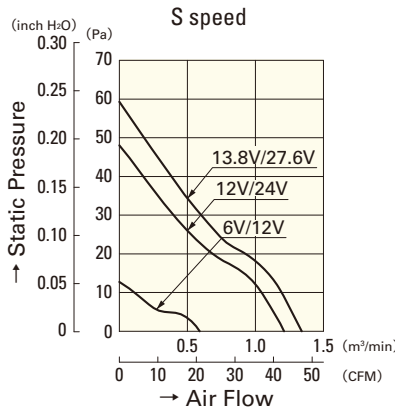
Model : 109-1002F13 (13PPI), 109-1002F20 (20PPI)
 : 109-1002F30 (30PPI), 109-1002F40 (40PPI)



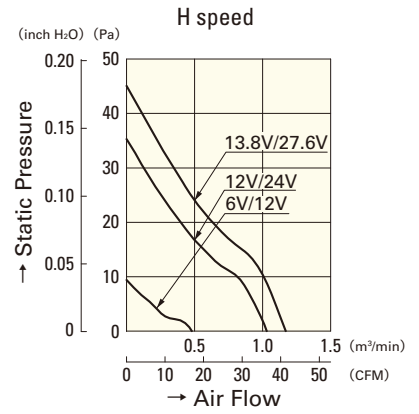
Air Flow and Static Pressure Characteristics



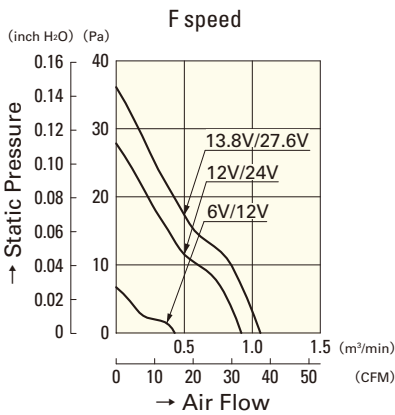
9A0812G401(4011)
9A0824G401(4011)



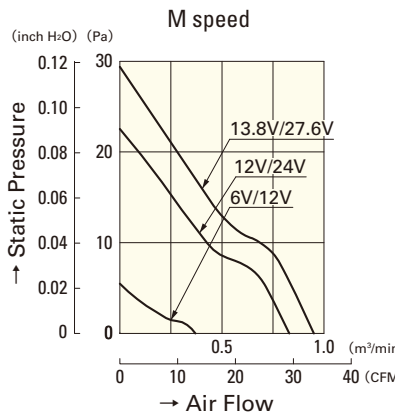
9A0812S401(4011)
9A0824S401(4011)



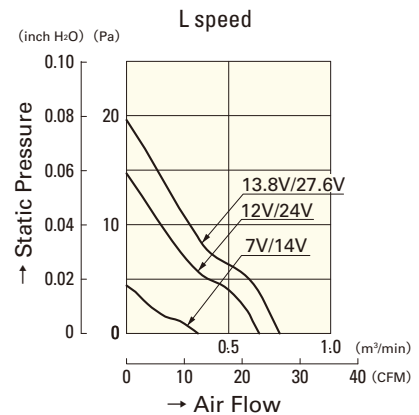
9A0812H401(4011)
9A0824H401(4011)



9A0812F401(4011)
9A0824F401(4011)



9A0812M401(4011)
9A0824M401(4011)



9A0812L401(4011)
9A0824L401(4011)