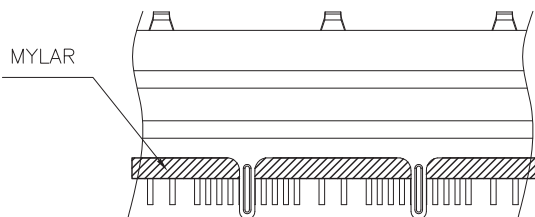
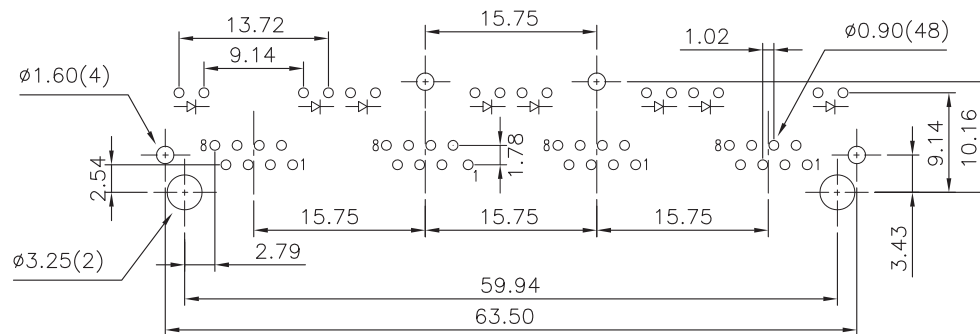
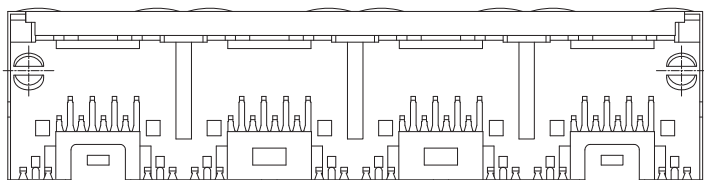
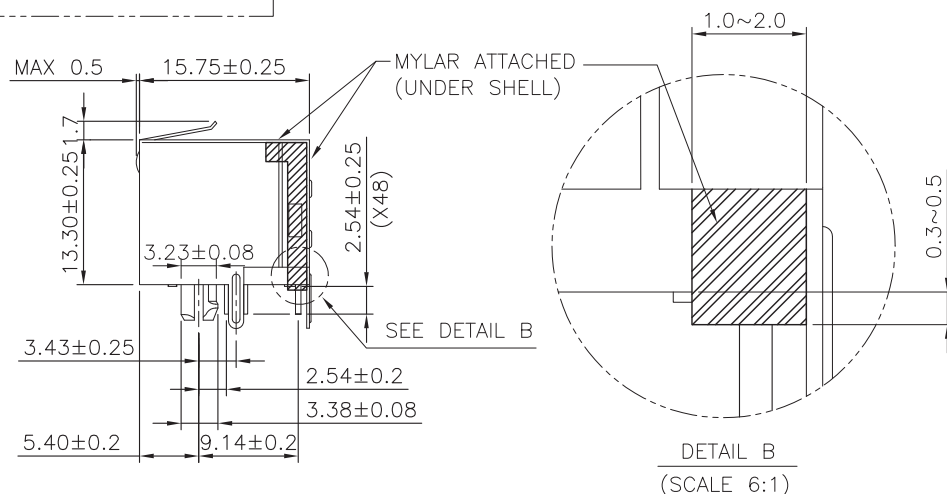
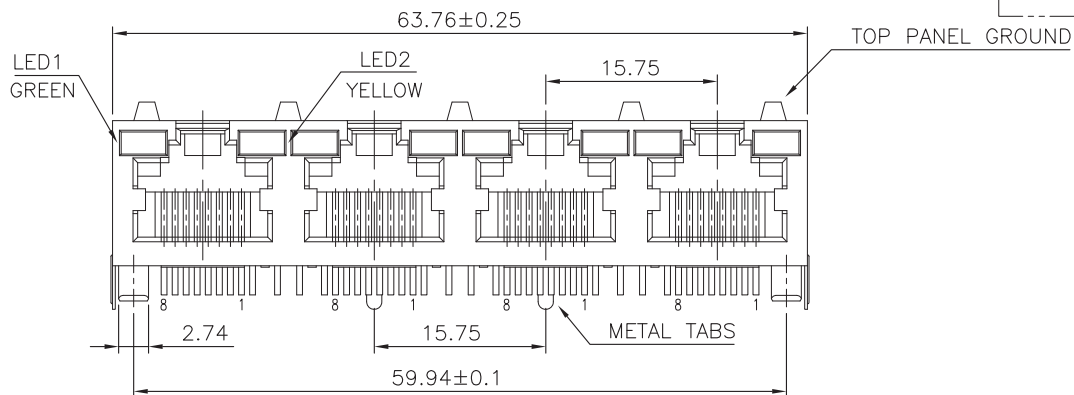
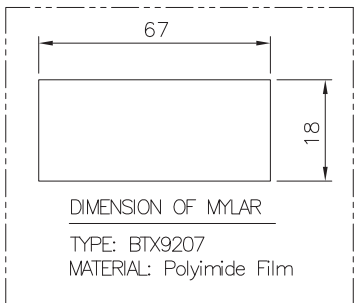
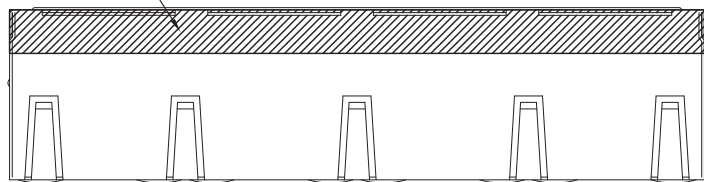


MYLAR ATTACHED
(UNDER SHELL)



BLACK VIEW

DO NOT SCALE DRAWING	TOLERANCES UNLESS OTHERWISE NOTED	INCH	MM	DR. <i>MEI.LIU</i>	DATE JUL-30 '13
THIRD ANGLE PROJECTION	LINEAR MM INCH	00 ± .01 000 ± .005 0000 ± .002	0.0 ± 0.25 0.00 ± 0.13 0.000 ± 0.05	CK'D <i>M.CHANG</i>	JUL-30 '13
MM INCH	ANGLE ± 0° 30'	RADII	+ 0.40 - 0.15	APP'D <i>W.J.YANG</i>	JUL-31 '13

Mega-Chip Electronics Pte Ltd

TITLE: 4PORTS, RJ45, WITH LED'S SHIELDED, SIDE ENTRY PCB GANGED JACK

SCALE: SIZE DWG.NO. 971416

REV. 8 SHEET 1