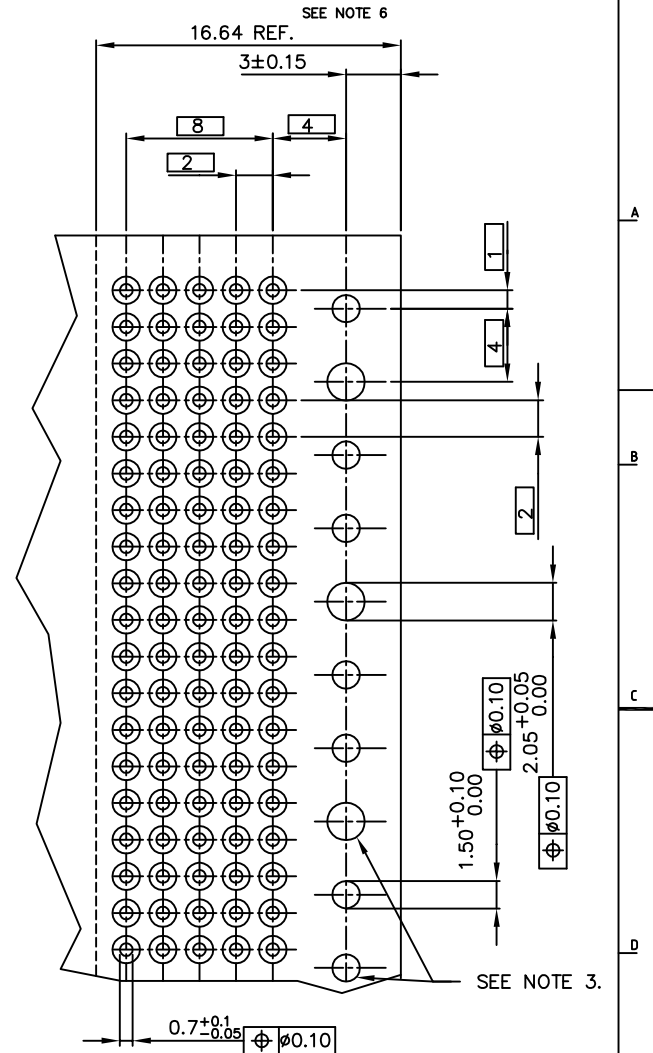
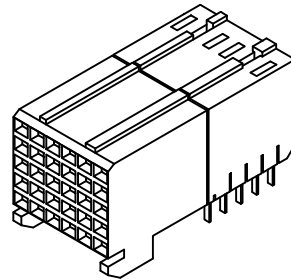
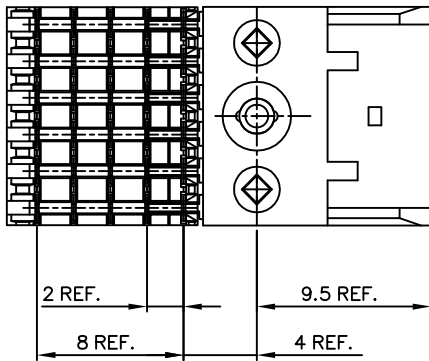
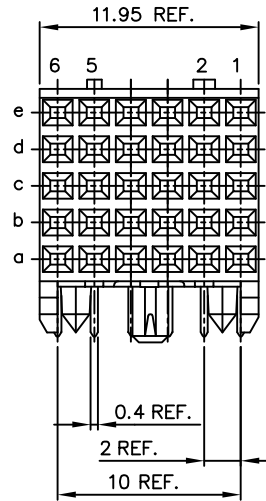
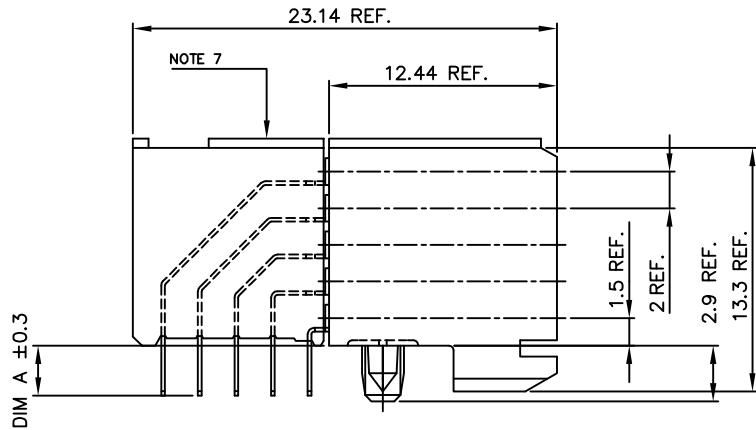


PLATING CONTACT AREA:	
DASH NR:	PERFORMANCE LEVEL:
-1YY/1YYLF	TELCORDIA CO
-2YY/2YYLF	CUSTOMER SPECIAL
-3YY/3YYLF	CUSTOMER SPECIAL

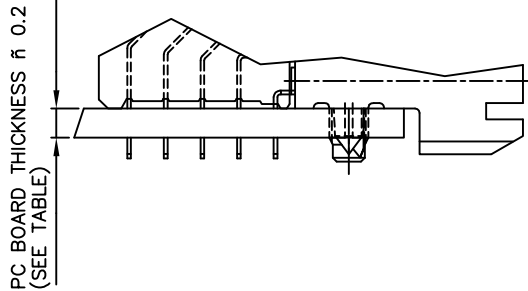
PC BOARD VERSIONS		
PRODUCT NR:	PCB THICKNESS	DIM A
85863-X02/X02LF	1.6	2.90
85863-X12/X12LF	2.4	3.53



RECOMMENDED HOLE PATTERN, COMPONENT SIDE.

NOTES:

- BODY MAT'L: LIQUID CRYSTAL POLYMER 30% GLASS FLAME RETARDANT ACC. UL 94-V0
- TERMINAL MATERIAL: PHOSPHOR BRONZE.
- INDICATED HOLES ARE UNPLATED.
- For PLATING SPEC, REFER TO DRAWING 10097866. 85863-XXY IS SnPb, 85863-XXYLF IS Sn (LEED FREE)
- PRODUCT MARKING: PART NUMBER & BATCH ID.
- SET BACK FOR TAIL BLOCK
- TOP SURFACE OF PRESS BLOCK MAY EXTEND UP TO 0.4MM HIGHER THAN HOUSING. THIS MAY AFFECT THE TAIL LENGTH BEFORE APPLICATION TO A BOARD.
- THIS PRODUCT MEETS EUROPEAN UNION DIRECTIVES AND OTHER COUNTRY REGULATIONS AS DESCRIBED IN GS-22-008.
- THE HOUSING WILL WITHSTAND EXPOSURE TO 260DEGREE PEAK TEMPERATURE FOR 10 SECONDS IN A WAVE SOLDER APPLICATION.



mat'l. code		tolerances unless otherwise specified		CUSTOMER COPY		FCI ELECTRONICS	
ltr	ecp no	dr	date	linear	projection	title	www.fciconnect.com
A	H40627	RV	941005			5 ROW R.A. S.T.B. SIGNAL RECEPT. 12 mm MOD.PP	
B	V00578	LLA	000316				
C	V00850	GNV	000512	angles			
D	0004-0104	CLU	041222	dr	R. VISSCHERS	941005	code
E	0007-0189	Cent	05/15/07	engr	E. FEJEN	941005	size
F	0008-0118	Cent	05/14/08	chr	E. FEJEN	941005	dwg no
G	0009-0088	Cent	03/03/08	app	E. FEJEN	941005	scale
sheet	revision	G				5:1	A2
index	sheet	1					85863
							213
							sheet
							1 of 1