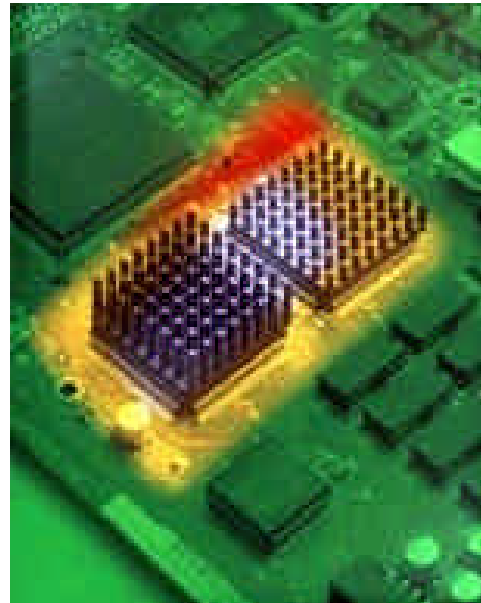




Thermal Management Solution for BGA, PGA, CQFP, and PQFP



This Series 658 is a omni-directional pin fin heat sink for both natural and forced-convection applications.

Applications include network routers and switches, high-resolution printers, digital cameras, customer video games, digital video disks (DVD) and global-positioning systems (GPS).

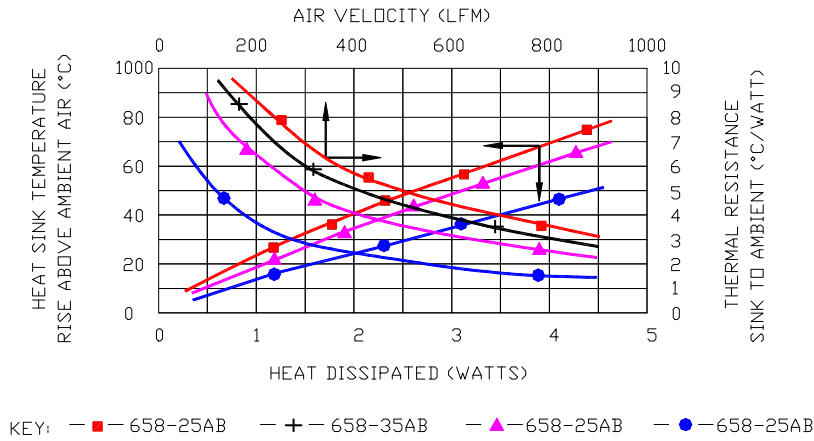
Features and Benefits:

- ◆ Available in four standard heights, .25 in., .35 in., 45 in., and .60 in.
- ◆ Pressure sensitive adhesives for quick and easy mounting to non-plastic surfaces
- ◆ New 'T4' interface material optimizes attachment to plastic surfaces

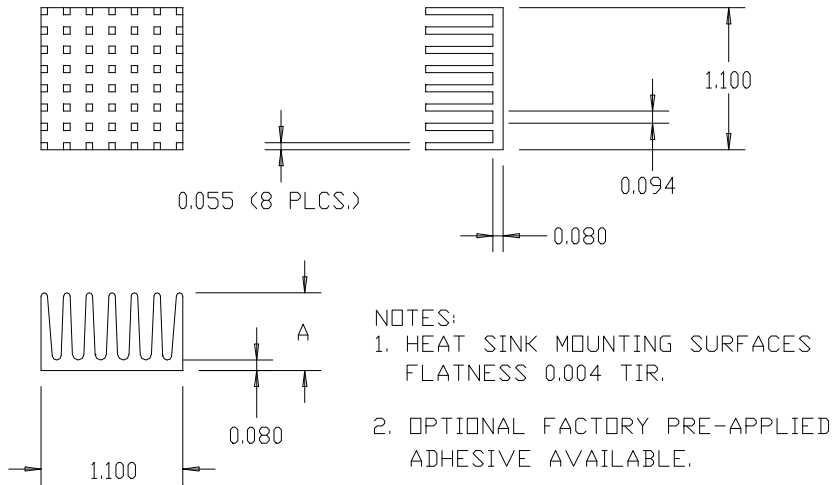




NATURAL AND FORCED CONVECTION CHARACTERISTICS



PRODUCT SPECIFICATION



(P/N 658-060 SHOWN)

PRODUCT DESIGNATION

SERIES 658 25 AB T1

Model Series		THERMAL INTERFACE MATERIAL OPTION
		Blank None
		T1 Chomerics Thermattach #405
		T2 Adhesive Research ARclad #8223
		T3 Chomerics T412
		T4 Chomerics T410
		MATERIAL, FINISH
		AB = Aluminum, Black Anodize

HEIGHT DESIGNATOR			
Height	Size	# Fins	Lbs/Ft
-25	.250	8	.19
-35	.350	8	.27
-45	.450	8	.31
-60	.600	7	.40

