

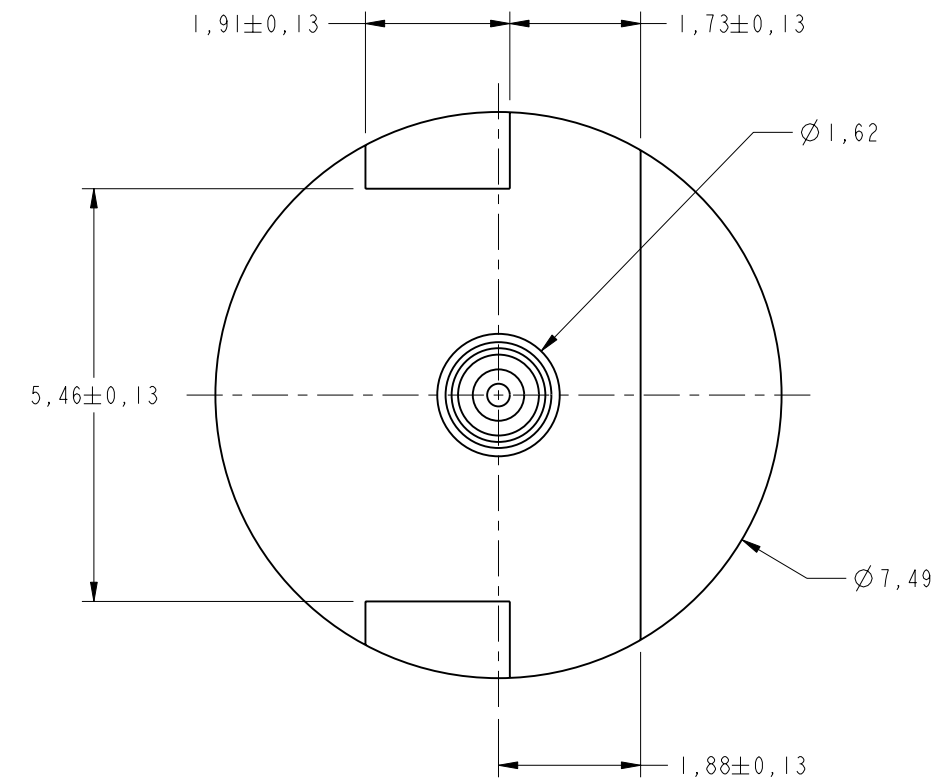
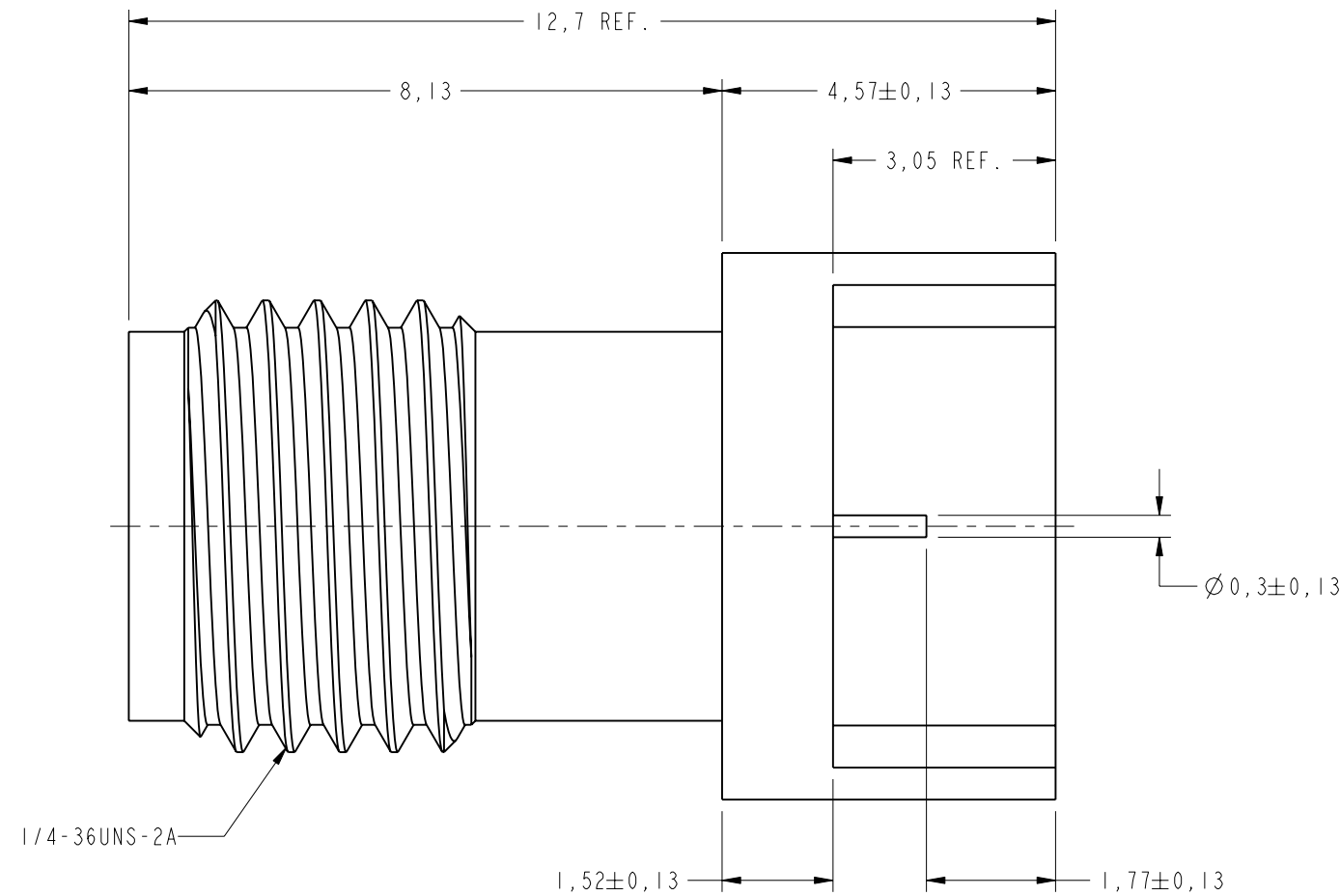
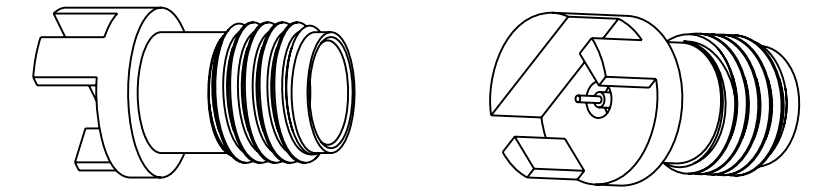
NOTES:

1. MATERIALS AND FINISHES:
 BODY & INSERT - STAINLESS STEEL, GOLD PLATING
 CONTACT - BERYLLIUM COPPER, GOLD PLATING 50 MIN.
 INSULATOR - ULTEM, NATURAL
2. PERFORMANCE:
 A. IMPEDANCE: 50 OHM
 B. FREQUENCY RANGE: DC TO 40.0 GHz
 C. VSWR: 1.25 MAX. DC TO 40.0 GHz

THIRD ANGLE PROJ.

REVISIONS

REV	DESCRIPTION	DATE	ECO	APPR
A	RELEASE TO MFG.	12-Jul-19		LQ



CUSTOMER OUTLINE DRAWING

ALL OTHER SHEETS ARE FOR INTERNAL USE ONLY

UNLESS OTHERWISE SPECIFIED, DIMENSIONS ARE IN METRIC AND TOLERANCES ARE:
 <0.5mm ± 0.05mm 0.5 - 6mm ± 0.1mm 6 - 30mm ± 0.2mm 30 - 120mm ± 0.3mm ANGLES ± 1°

NOTICE - These drawings, specifications, or other data (1) are, and remain the property of Amphenol corp. (2) must be returned upon request; and (3) are confidential and not to be disclosed to any person other than those to whom they are given by Amphenol Corp. the furnishing of these drawings, specifications, or other data by Amphenol Corp., or to any other person to anyone for any purpose is not to be regarded by implication or otherwise in any manner licensing, granting rights to permitting such holder or any other person to manufacture, use or sell any product, process or design, patented or otherwise, that may in any way be related to or disclosed by said drawings, specifications, or other data.

MATERIAL -	DRAWN L.QIN	DATE 12-Jul-19	TITLE 2.92mm JACK PCB MOUNT Ø0.3 PIN FOR .062" PCB	Amphenol RF www.amphenolrf.com	
	ENGINEER L.QIN	DATE 16-Jul-19			
	REFERENCE EAR08065	APPROVED S.HSIEH	DATE 16-Jul-19	SCALE: 10.0:1.0 SHEET 2 OF 2	DRAWING NO. 2926251A1-001-30GP30G-50
	FINISH	CAD FILE	DWG SIZE B	REV A	ITEM NO. 476251AAAA1BR5F PART NO.