

40mm sq.

San Ace 40

10mm thick, 15mm thick, 20mm thick
 28mm thick (GE type)
 28mm thick (GV type), 28mm thick



General Specifications With a pulse sensor

- Material Frame: Plastics (Flammability: UL94V-0),
 Impeller: Plastics (Flammability: UL94V-1)
- Life Expectancy Varies for each model (L10: Survival rate: 90% at 60°C, rated voltage, and continuously run in a free air state)
- Lead Wire ⊕red ⊖black or blue (Sensor) yellow
- Storage Temperature -30°C to +70°C (Non-condensing)

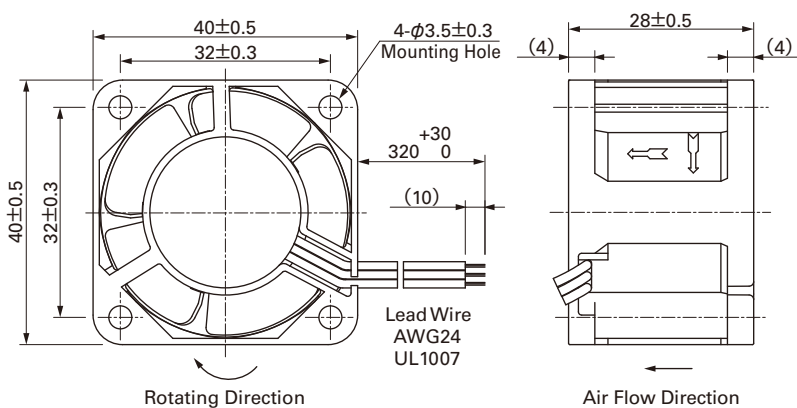
40×40×28mm (Mass : 52g)

Specifications

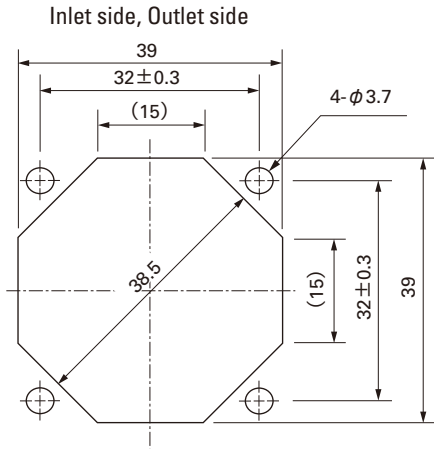
Model No.	Rated Voltage [V]	Operating Voltage Range [V]	Rated Current [A]	Rated Input [W]	Rated Speed [min ⁻¹]	Air Flow [m ³ /min] [CFM]	Static Pressure [Pa] [inchH ₂ O]	SPL [dB(A)]	Operating Temperature [°C]	Life Expectancy [h]
109P0405H3013	5	4.5 to 5.5	0.68	3.4	8,700	0.32 11.3	103 0.414	37	-10 to +70	40,000
109P0405F3013			0.28	1.4	6,700	0.244 8.6	58.8 0.236	30		60,000
109P0412K3013	12	8 to 13.2	0.55	6.6	15,500	0.59 21.0	340 1.365	50	-10 to +60	40,000
109P0412J3013			7 to 13.2	0.35	4.2	12,500	0.46 16.3	210 0.843		
109P0412G3013		7 to 13.8		0.31	3.72	11,500	0.42 14.8	179 0.719		
109P0412B3013			0.28	3.36	10,300	0.38 13.4	143 0.574	40		
109P0412H3013		7 to 13.8	0.195	2.34	8,700	0.32 11.3	103 0.414	37	-10 to +70	60,000
109P0412F3013			0.105	1.26	6,700	0.244 8.6	58.8 0.236	30		
109P0412M3013		10.2 to 13.8	0.045	0.54	4,100	0.15 5.3	21.6 0.087	20		
109P0424J3013		24	12 to 26.4	0.18	4.32	12,500	0.46 16.3	210 0.843	44	-10 to +60
109P0424G3013	12 to 27.6			0.19	4.56	11,500	0.42 14.8	179 0.719	42	
109P0424B3013			12 to 27.6	0.13	3.12	10,300	0.38 13.4	143 0.574	40	
109P0424H3013	14 to 27.6			0.095	2.28	8,700	0.32 11.3	103 0.414	37	-10 to +70
109P0424F3013			0.055	1.32	6,700	0.244 8.6	58.8 0.236	30		

Without Sensor **Pulse Sensor** Available in all models. **Lock Sensor** **PWM Control** Please inquire as the availability of these functions depend on the model.

Dimensions (Unit : mm)



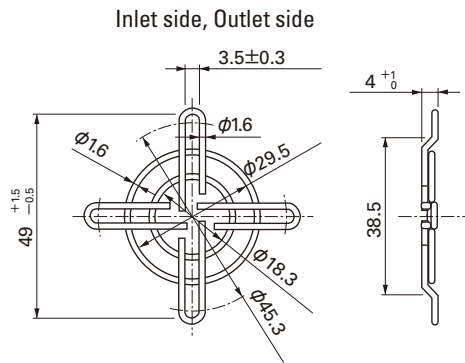
Reference dimension of mounting holes and vent opening (Unit : mm)



Options (Unit : mm)

Finger guards

Model : 109-059 Surface treatment : Nickel-chrome plating (silver) Color

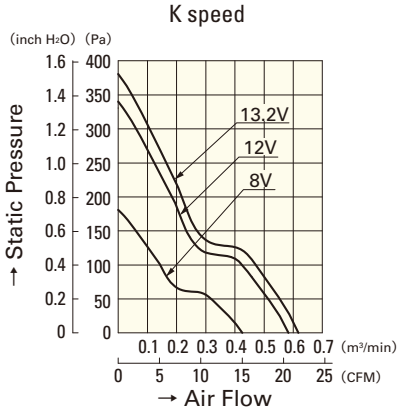


40mm sq.

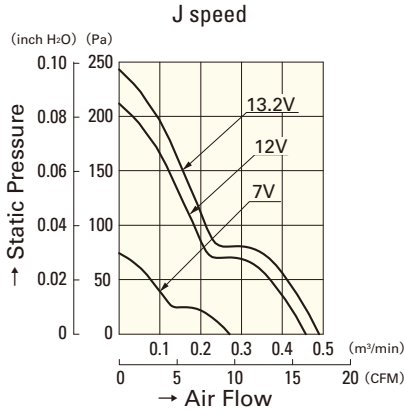
San Ace 40

40×40×28mm [Mass : 52g]

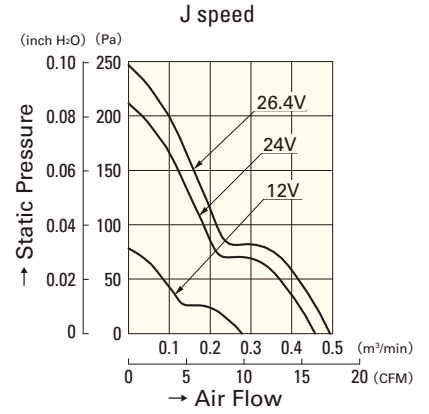
Air Flow and Static Pressure Characteristics



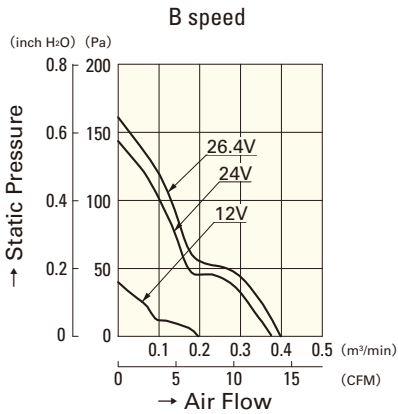
109P0412K3013



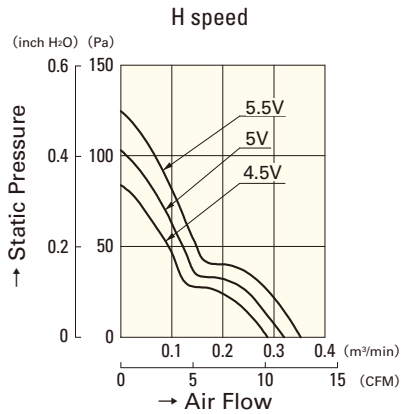
109P0412J3013



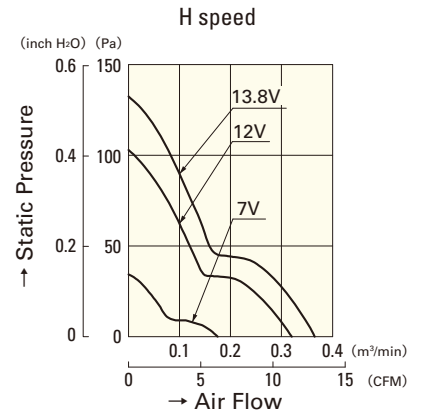
109P0424J3013



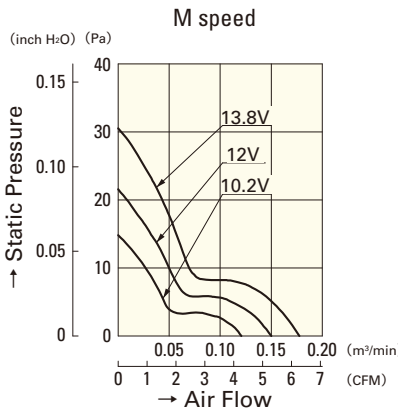
109P0424B3013



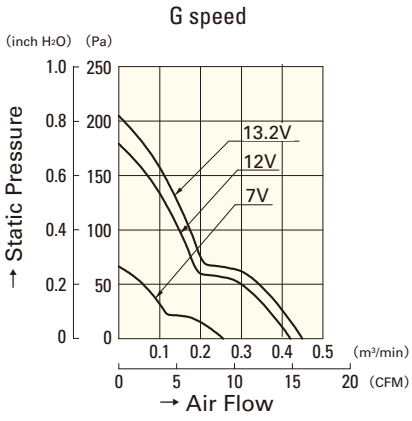
109P0405H3013



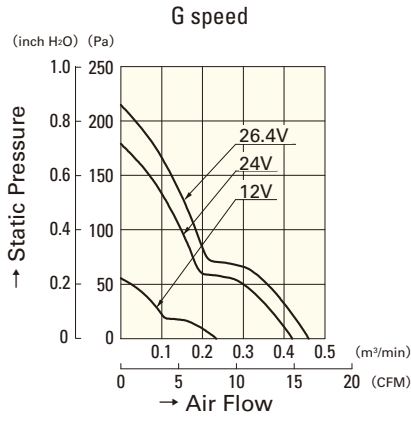
109P0412H3013



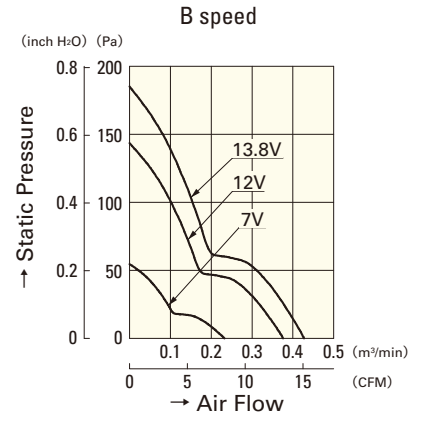
109P0412M3013



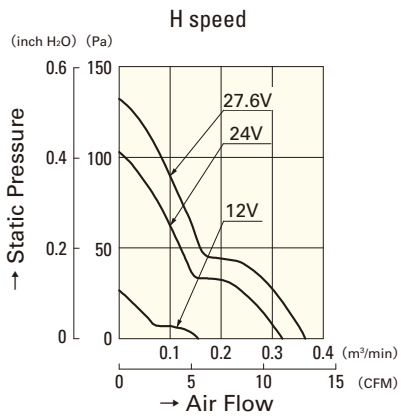
109P0412G3013



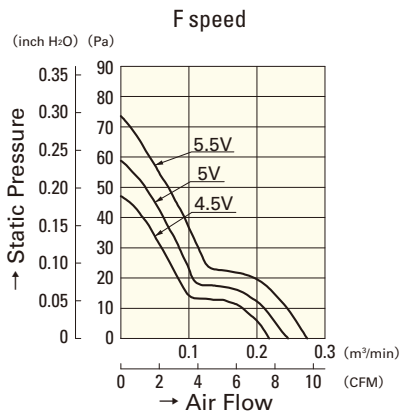
109P0424G3013



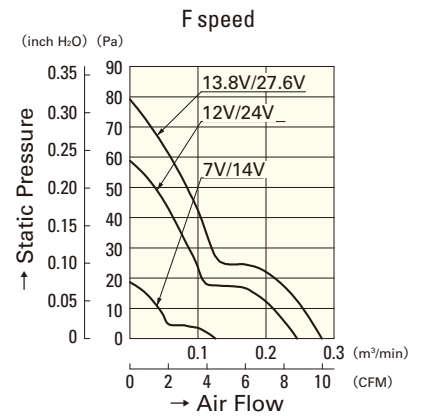
109P0412B3013



109P0424H3013



109P0405F3013



109P0412F3013

109P0424F3013