

For housing types and dim A and B see sheet 4

Part number:
10055307-1YZABCILF

PLATING
I = TELCORDIA CO (see note 2 sheet 5)

YZ = HOUSING TYPE
01 = 2 wall narrow body
04 = 4 wall narrow body
05 = 2 wall wide body (STANDARD VERSION)
08 = 4 wall wide body

ABC = PIN LAYOUT
001 = standard layout (no detect pin)
xxx = other versions see sheet 2

LF = Lead Free
LF = Lead free product (see note 8 sheet 5)
no suffix = Non lead free : available upon special request

2 WALL WIDE BODY VERSION AS SHOWN

rev	ecn no	dr	date
A	S08-0282	MCH	2008-08-28
-	-	-	-
-	-	-	-
-	-	-	-
-	-	-	-

www.fciconnect.com			surface ISO 1302	tolerance std ISO 406 ISO 1101	projection mm
			TOLERANCES UNLESS OTHERWISE SPECIFIED		mm
Dr	R.de BliECK	2005-04-11	ANGULAR	0.X	±
Eng	R.de BliECK	2005-04-11		LINEAR	0.XX
Chr	M. Cheong	2008-08-28	0° ±°	0.XXX	±
Appr	Joey Ng	2008-08-28	Product family		AirMax VS
			size		A3
			Scale		3:1
			ECN		S08-0282
			Spec ref		CONCEPT
FCi			Title		AirMax VS VERTICAL HEADER
			dwg no		10055307
			Rev.		A
			catalog no		-
			CUSTOMER		sheet 1 of 5

Copyright FCI.

* Detection pin of 3.9mm possible on standard positions H5 .
 For other detection pin layout and options please consult FCI.

Partnumber \ Pin layout	5.6mm Longpins (typ gnd)	3.9mm * Short pin (typ detect)	4.6mm Otherpins (typ sign)
10055307-IYZ0011(LF)	F1,F3,F5,F7, G2,G4,G6,G8	-	all other positions
10055307-IYZ0031(LF)	F1,F3,F5,F7, G2,G4,G6,G8	H5	all other positions



Copyright FCI.

	title	AirMax VS VERTICAL HEADER	dwg no	10055307	Rev.	A
	catalog no	4 pair, 96pos, 2mm, 8 IMLA	-	CUSTOMER	sheet 2 of 5	

1

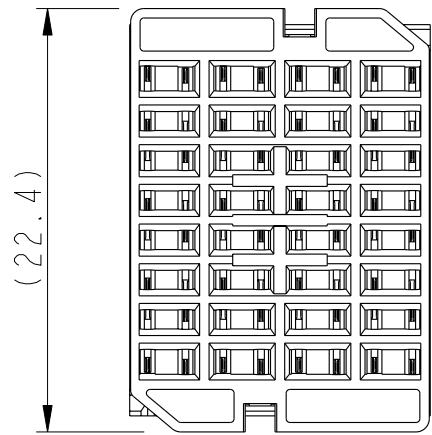
2

3

4

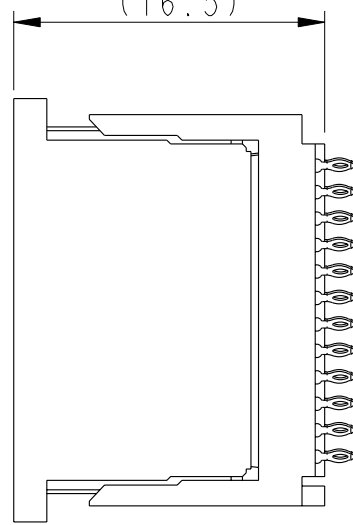
A

NARROW BODY

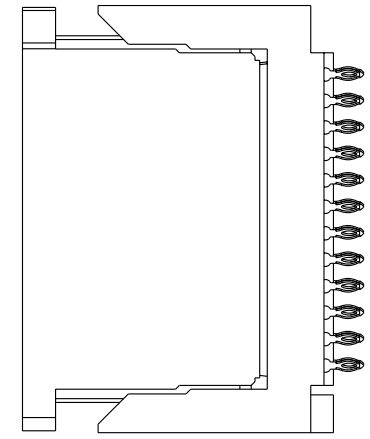
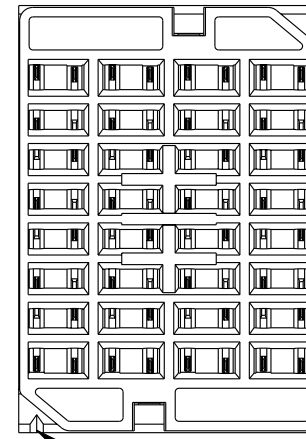


(22.4)

(16.5)



WIDE BODY



A

B

B

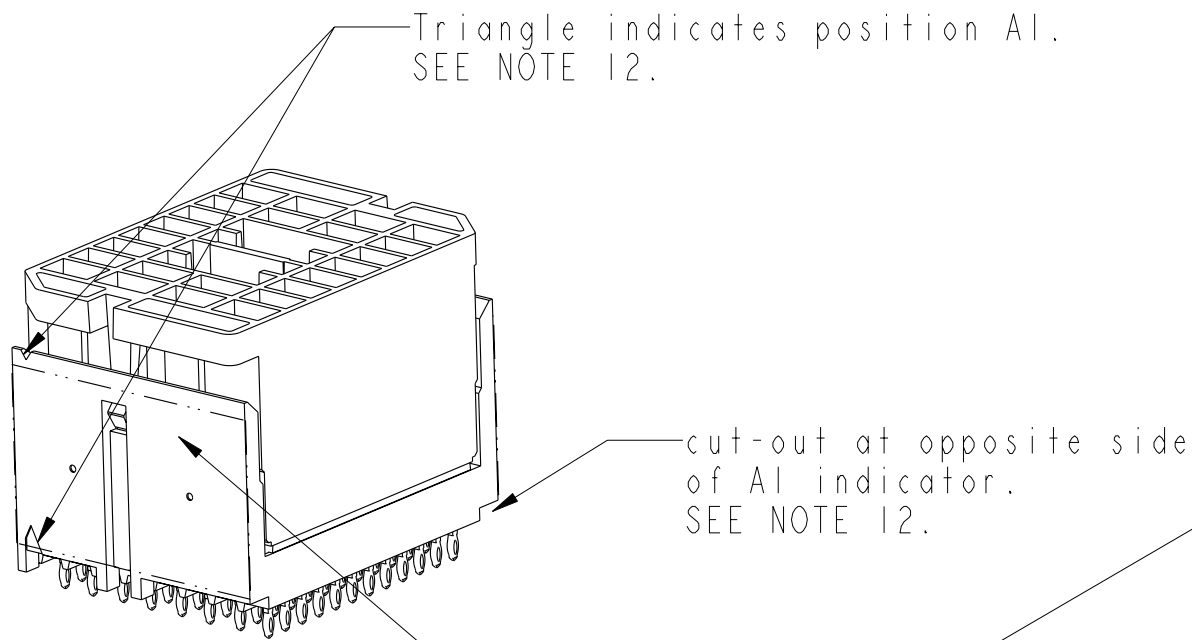
Triangle indicates position A1.
SEE NOTE 12.

Triangle indicates position A1.
SEE NOTE 12.

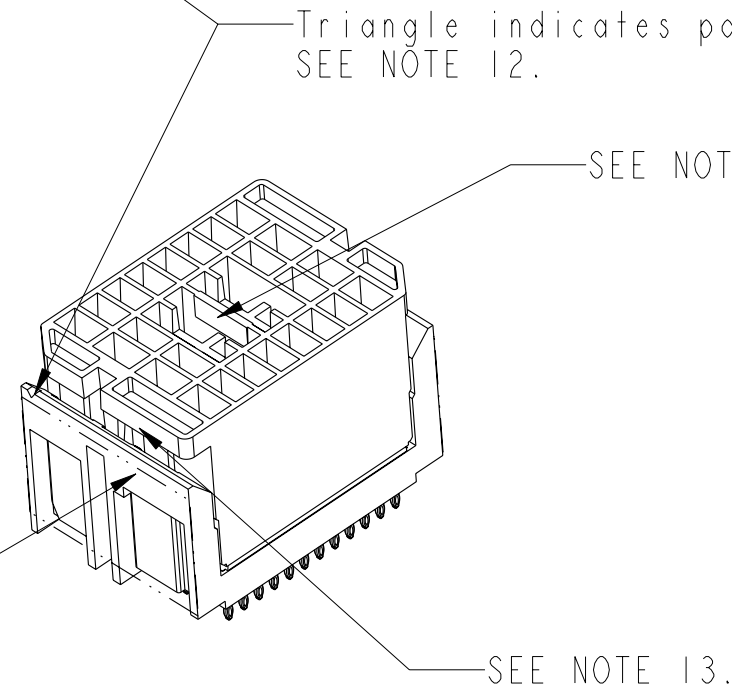
SEE NOTE 14.

C

C



cut-out at opposite side
of A1 indicator.
SEE NOTE 12.



SEE NOTE 13.

NOTE 5 & 12

D

D



Copyright FCI.



Title AirMax VS VERTICAL HEADER
4 pair, 96pos, 2mm, 8 IMLA
catalog no

dwg no 10055307
Rev. A
CUSTOMER sheet 3 of 5

2

3

PDM: Rev:A

STATUS: Released

Printed: Dec 01, 2010

1

2

3

4

NARROW BODY

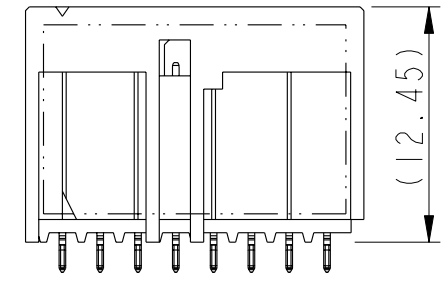
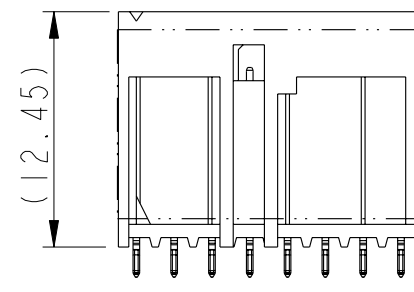
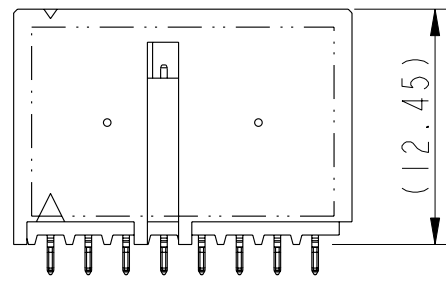
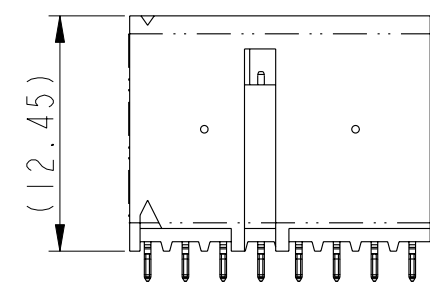
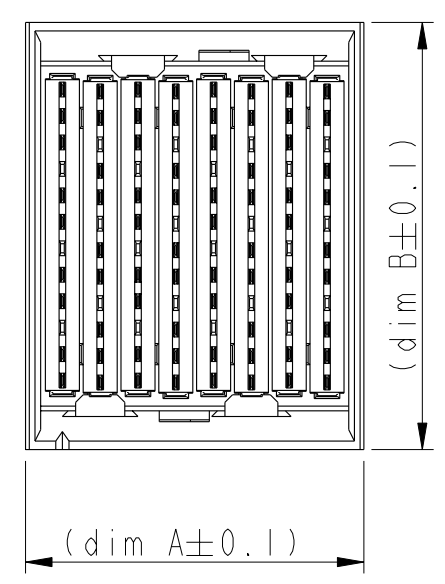
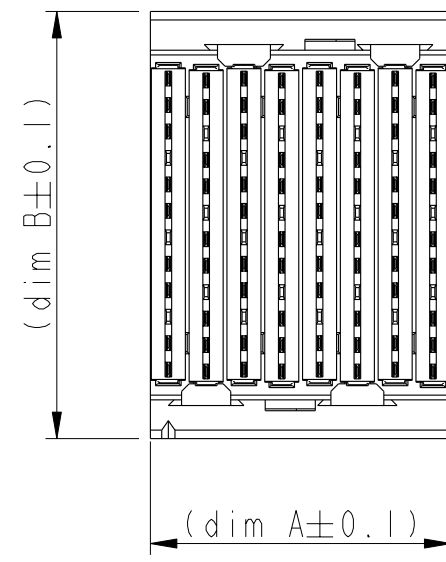
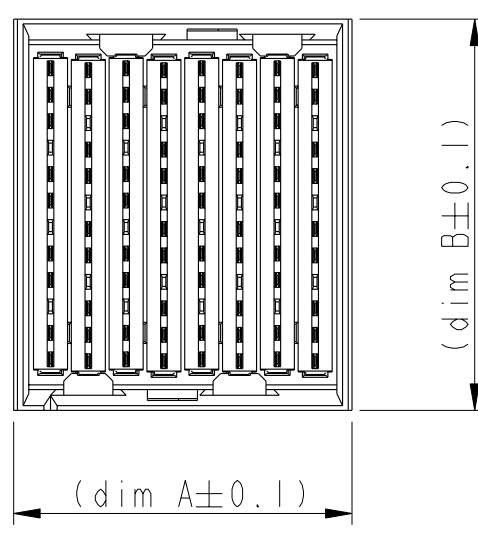
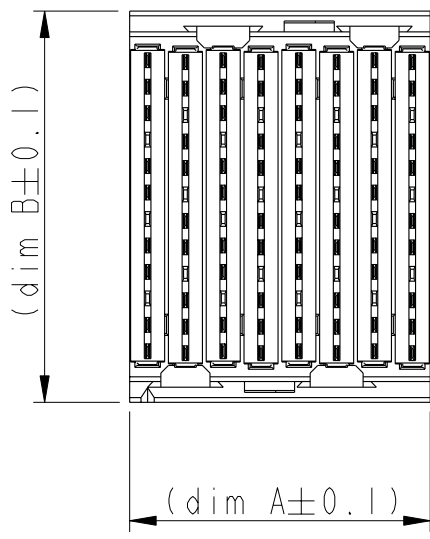
WIDE BODY

10055307-101ABC1

10055307-104ABC1

10055307-105ABC1

10055307-108ABC1



PN / dim	A	B
10055307-101ABC1(LF)	15.9	20.7
10055307-104ABC1(LF)	17.9	20.7
10055307-105ABC1(LF)	15.9	22.6
10055307-108ABC1(LF)	17.9	22.6



Copyright FCI.

	Title AirMax VS VERTICAL HEADER 4 pair, 96pos, 2mm, 8 IMLA catalog no -	dwg no 10055307 CUSTOMER	Rev. A sheet 4 of 5
	STATUS: Released		Printed: Dec 01, 2010

1

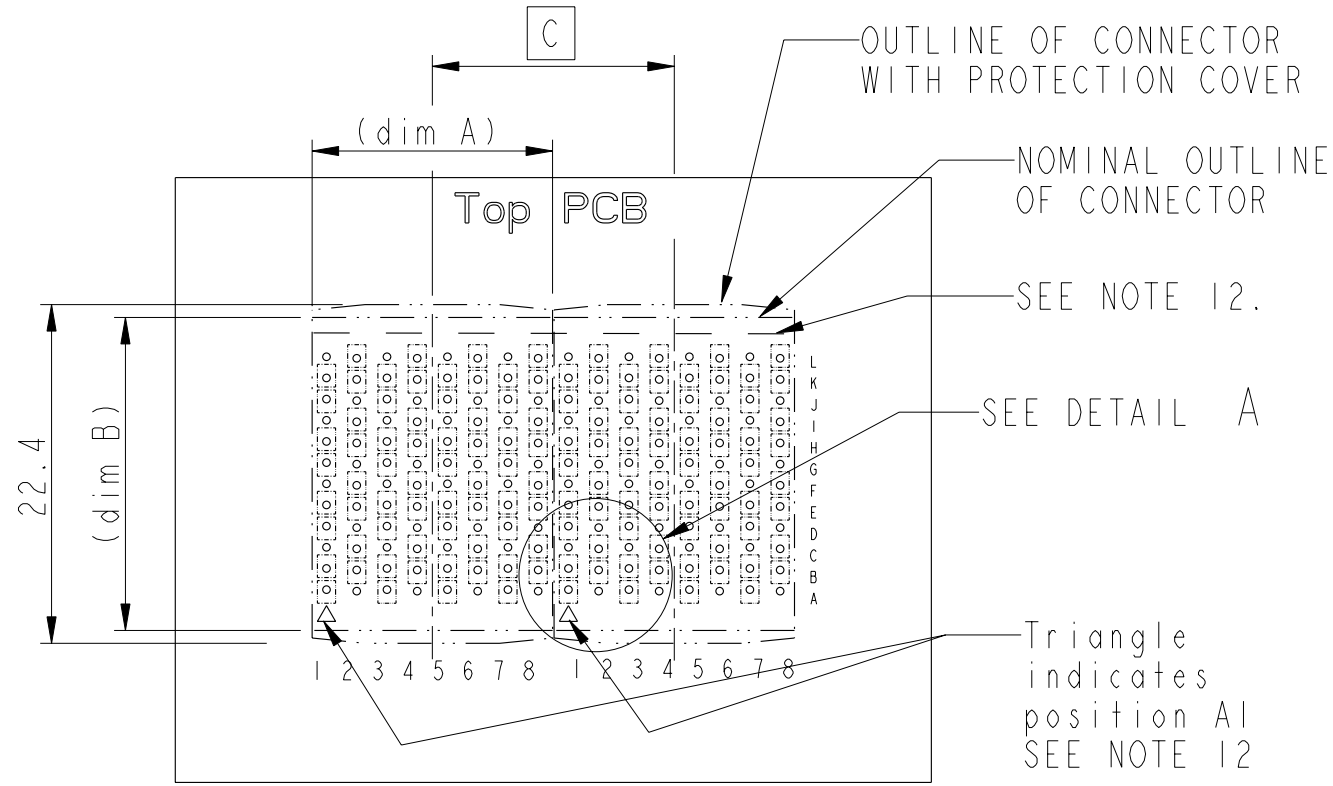
2

3

PDM: Rev:A

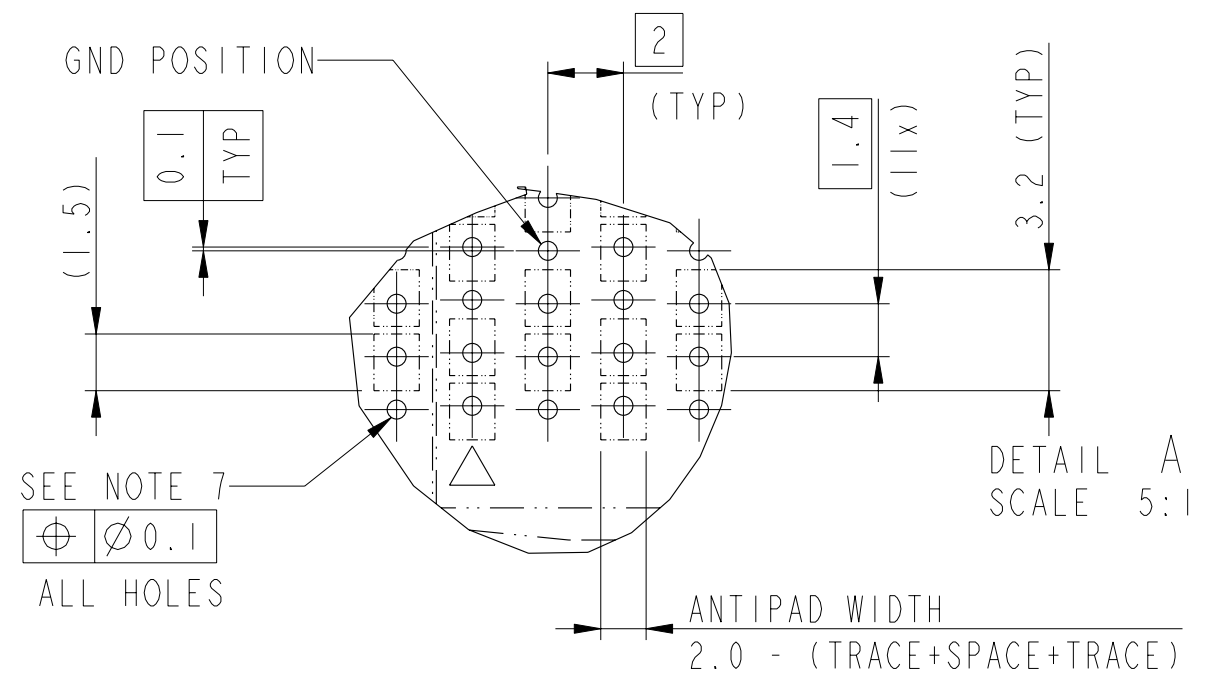
STATUS: Released

Printed: Dec 01, 2010



RECOMMENDED PCB LAYOUT FOR DIFFERENTIAL APPLICATIONS COMPONENT SIDE (TWO ADJACENT FOOTPRINTS SHOWN)

PN \ dim	A	B	C
10055307-101ABC1(LF)	15.9	20.7	16
10055307-104ABC1(LF)	17.9	20.7	18
10055307-105ABC1(LF)	15.9	22.6	16
10055307-108ABC1(LF)	17.9	22.6	18



NOTES:

- CONNECTOR MATERIALS:
HOUSING : HIGH TEMP THERMOPLASTIC, NATURAL, UL94V-0
PROTECTION COVER : HIGH TEMP THERMOPLASTIC, BLACK, UL94V-0
IMLA PLASTIC: HIGH TEMP THERMOPLASTIC, BLACK UL94V-0
CONTACT: COPPER ALLOY
- CONTACT PLATING:
SEPARABLE INTERFACE: PERFORMANCE- BASED PLATING, QUALIFIED TO MEET THE REQUIREMENTS OF THE FCI PRODUCT SPECIFICATIONS GS-12-239, INCLUDING TELCORDIA GR-1217-CORE (NOV 1995) CENTRAL OFFICE TEST SEQUENCE.
PRESS-FIT TAILS: TIN-LEAD (NON LEAD FREE) OR TIN OVER NICKEL (LEAD FREE)
- PRODUCT SPECIFICATION: GS-12-239.
- APPLICATION SPECIFICATION: GS-20-035. FLATROCK INSERTION INTO PCB BY PUSHING ON TOP OF SURFACE PROTECTION COVER
- PRODUCT MARKING, (PART NUMBER & LOTCODE).
- PROTECTION COVER MUST BE REMOVED BEFORE MATING WITH RECEPTACLE CONNECTOR
- SEE CUSTOMER DRAWING 10045979 FOR INFORMATION ON PCB HOLE DIAMETER AND PLATING OPTIONS.
- LEAD FREE PRODUCT MEETS THE EUROPEAN UNION DIRECTIVE AND OTHER COUNTRY REGULATION AS DESCRIBED IN GS-22-008.
- THE HOUSING SHOULD WITHSTAND EXPOSURE TO 260°C PEAK TEMPERATURE FOR 40 SECONDS IN A CONVECTION, INFRA-RED OR VAPOR PHASE REFLOW OVEN.
- PACKAGE PER GS-14-1086 AND GS-14-920 LEAD FREE LABELING SPEC.
- THERE IS NO GROUND BUSSING WITHIN THE CONNECTOR SYSTEM.
- IT IS RECOMMENDED TO PUT THIS VISIBLE LINE AND THE A1 INDICATION (TRIANGLE) ON THE PCB TO INDICATE PROPER ORIENTATION. OTHER VISIBLE POLARIZATION MARKS ARE A1 INDICATOR AND PRINTING SIDE. (SEE SHEET 3)
- GRIPPING FEATURE TO REMOVE PROTECTION COVER BY FINGERS.
- GRIPPING FEATURE TO REMOVE PROTECTION COVER BY STANDARD PLIERS.



Copyright FCI.

	Title AirMax VS VERTICAL HEADER 4 pair, 96pos, 2mm, 8 IMLA	dwg no 10055307	Rev. A
	catalog no	CUSTOMER	sheet 5 of 5