

A

B

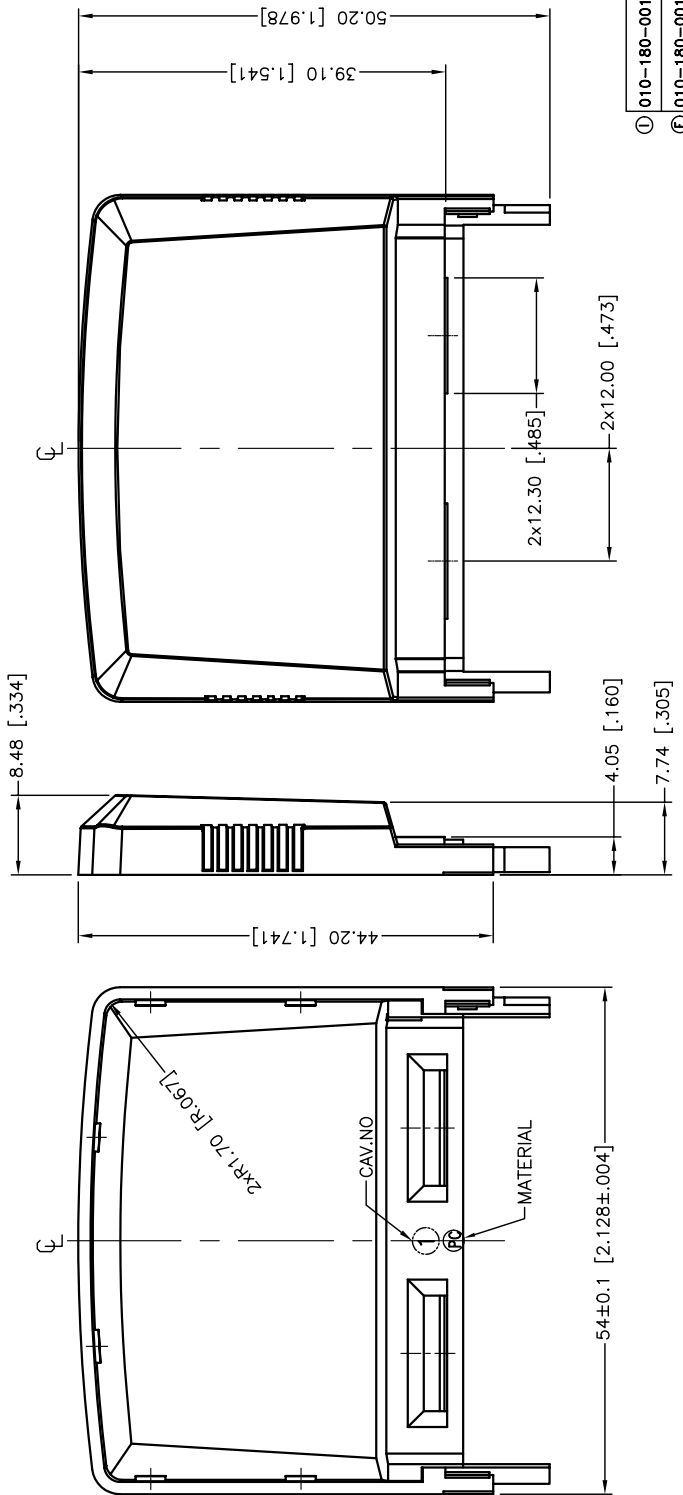
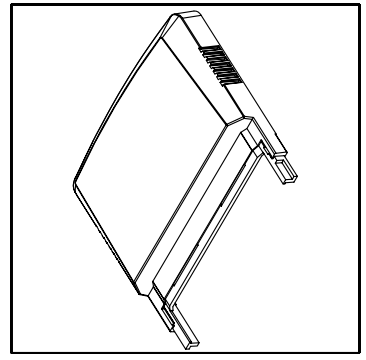
C

D

E

F

1 2 3 4 5 6 7 8 9 10



NOTE:

1. MATERIAL: PC IR1900, UL94V-2.
MT-11010

NO.	PARTS	NO.	COLOR	PRINT DESCRIPTION	TOOLING
①	010-180-0018	TRANSPARENT BLACK	NONE	PRINT:1. 'ACT' / 'LINK' AGT. 2. CODE OF COLOR IS 'WHITE' PRINT:1. 'ACT' / 'LINK' AGT. 2. CODE OF COLOR IS 'WHITE'	
②	010-180-0017	TRANSPARENT BLUE	PANTONE 533C	PRINT:1. 'ACT' / 'LINK' AGT. 2. CODE OF COLOR IS 'WHITE' PRINT:1. 'ACT' / 'LINK' AGT. 2. CODE OF COLOR IS 'WHITE'	
③	010-180-0015	TRANSPARENT BLACK	PANTONE 533C	PRINT:1. 'ACT' / 'LINK' AGT. 2. CODE OF COLOR IS 'WHITE' PRINT:1. 'ACT' / 'LINK' AGT. 2. CODE OF COLOR IS 'WHITE'	
④	010-180-0013	TRANSPARENT BLUE	PANTONE 533C	PRINT:1. 'ACT' / 'LINK' AGT. 2. CODE OF COLOR IS 'WHITE' PRINT:1. 'ACT' / 'LINK' AGT. 2. CODE OF COLOR IS 'WHITE'	
⑤	010-180-0012	TRANSPARENT BLACK	PANTONE 533C	PRINT:1. 'ACT' / 'LINK' AGT. 2. CODE OF COLOR IS 'WHITE' PRINT:1. 'ACT' / 'LINK' AGT. 2. CODE OF COLOR IS 'WHITE'	
⑥	010-180-0011	TRANSPARENT BLUE	PANTONE 533C	PRINT:1. 'ACT' / 'LINK' AGT. 2. CODE OF COLOR IS 'WHITE' PRINT:1. 'ACT' / 'LINK' AGT. 2. CODE OF COLOR IS 'WHITE'	
⑦	010-180-0003	TRANSPARENT BLACK	PANTONE 533C	PRINT:1. 'ACT' / 'LINK' AGT. 2. CODE OF COLOR IS 'WHITE' PRINT:1. 'ACT' / 'LINK' AGT. 2. CODE OF COLOR IS 'WHITE'	
⑧	010-180-0002	TRANSPARENT BLUE	PANTONE 533C	PRINT:1. 'ACT' / 'LINK' AGT. 2. CODE OF COLOR IS 'WHITE' PRINT:1. 'ACT' / 'LINK' AGT. 2. CODE OF COLOR IS 'WHITE'	
⑨	010-180-0001	TRANSPARENT BLACK	PANTONE 533C	PRINT:1. 'ACT' / 'LINK' AGT. 2. CODE OF COLOR IS 'WHITE' PRINT:1. 'ACT' / 'LINK' AGT. 2. CODE OF COLOR IS 'WHITE'	

NEW/2CAV.
CAV.2,3
OLD/1CAV.
CAV.1

REV	ECN	NO	DESCRIPTION	APPD.	DATE
I	E17-2006-065		ADD PART NO: 010-180-0018	Mari	06.28/2006
H	E17-2006-064		ADD NEW TOOLING CAV.2,3	Mari	05.23/2006
G	SF17-2006-071		ADD PART NO: 010-180-0016	Mari	04.13/2006
F	SF17-2006-048		ADD PART NO: 010-180-0017	Mari	03.14/2006
E	SF17-2006-008		ADD PART NO: 010-180-0013 ADD PART NO: 010-180-0012 ADD PART NO: 010-180-0011	Mari	01.10/2006
D	SF17-2006-167		ADD MATERIAL SH	Mari	11.01/2005
C	SF17-2006-190		ADD PARTS NO. 010-180-0014/15	Mari	10.12/2005
B	SF17-2006-015		CHANGE FONT OF 010-180-0012	Mari	02.17/2005
A	SF17-2004-067		DWG.REL.	Mari	12.08/2004



Mega-Chip
Electronics Pte Ltd

TITLE: PRODUCT KITS (CAP TOP)
WFCM

DWG NO: 010-180-0000

SHEET: 1 OF 5

REV: 1

X: ± 0.38	APPD: Mari	06.28/2006
.X ± 0.25	CHKD: Mari	06.28/2006
.XX ± 0.13	DR: Go	06.28/2006
.XXX ±		
.X' ± 2'		
.X' ± 1'		

UNITS: mm [INCH]

SCALE: NONE